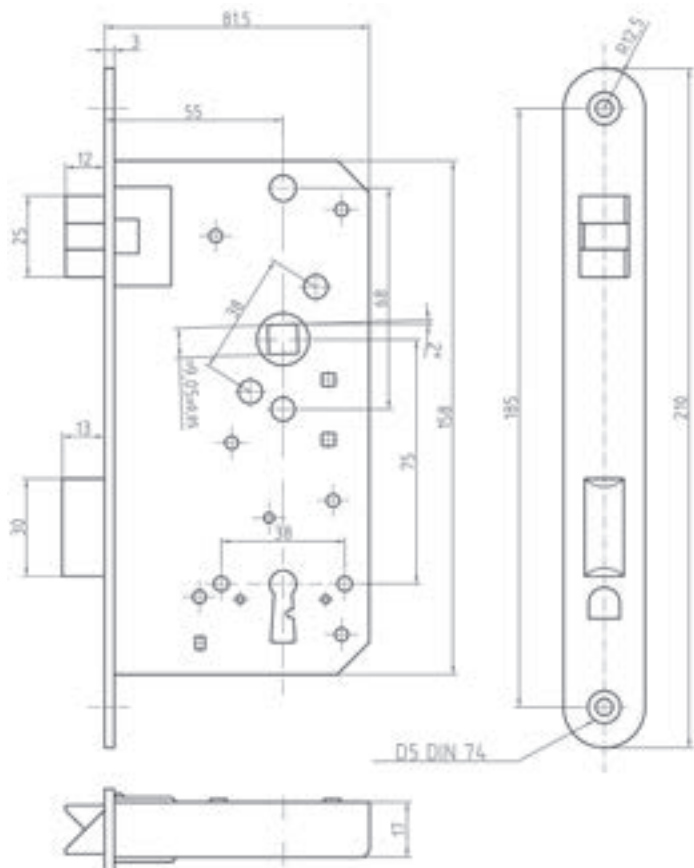


MORTISE LOCKS DIN 81301 TUMBLER KEY - MORTISE LOCKS DIN 81301 A

Mortise locks with 9 mm spindle hole, 55mm backset, distance 75 mm

- On request with 38 mm horizontal fixing holes for rosettes
- Recommended door handles article group 17, striking plates group 22 and escutcheons group 18
- 8 mm locknut in brass on request
- Faceplate in satin matt or polished on request
- delivered with 2 keys



Art.code	Surface	Article description	Unit	Weight
N-100131	S/S brushed	Mortise BB lock, DIN 81301 A, right, solid latch	pc.	0,830
N-100132	S/S brushed	Mortise BB lock, DIN 81301 A, left, solid latch	pc.	0,830
N-101131	S/S brushed	Mortise BB lock, DIN 81301 A, right, triple latch	pc.	0,830
N-101132	S/S brushed	Mortise BB lock, DIN 81301 A, left, triple latch	pc.	0,830

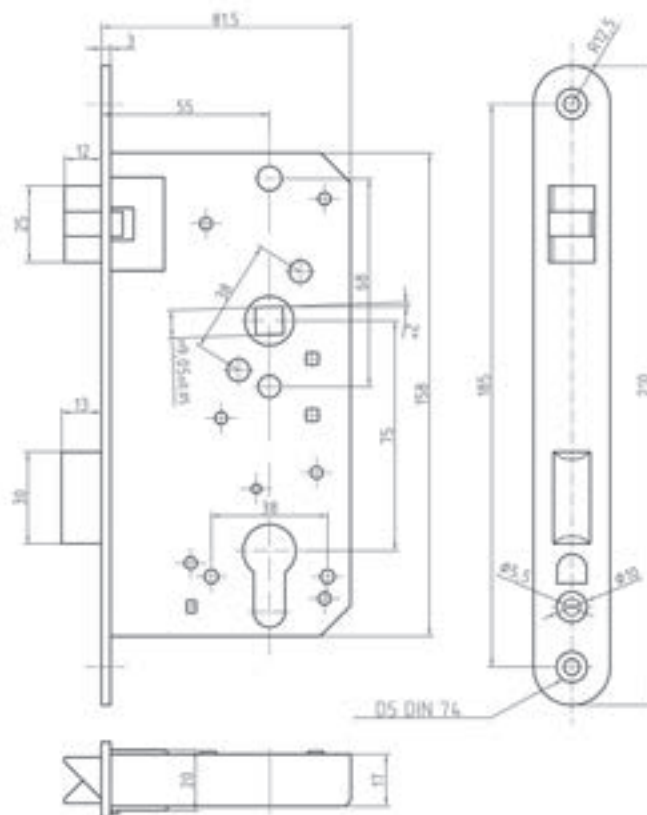
MORTISE LOCKS DIN 81301 PROFILE CYLINDER HOLE - MORTISE LOCKS DIN 81301

Mortise locks with 9 mm spindle hole, 55mm backset, distance 75 mm

- With PC change lever on request
- Recommended door handles article group 17, striking plates group 22 and escutcheons group 18
- 8 mm locknut in brass on request
- Faceplate in satin matt on request



N-101232

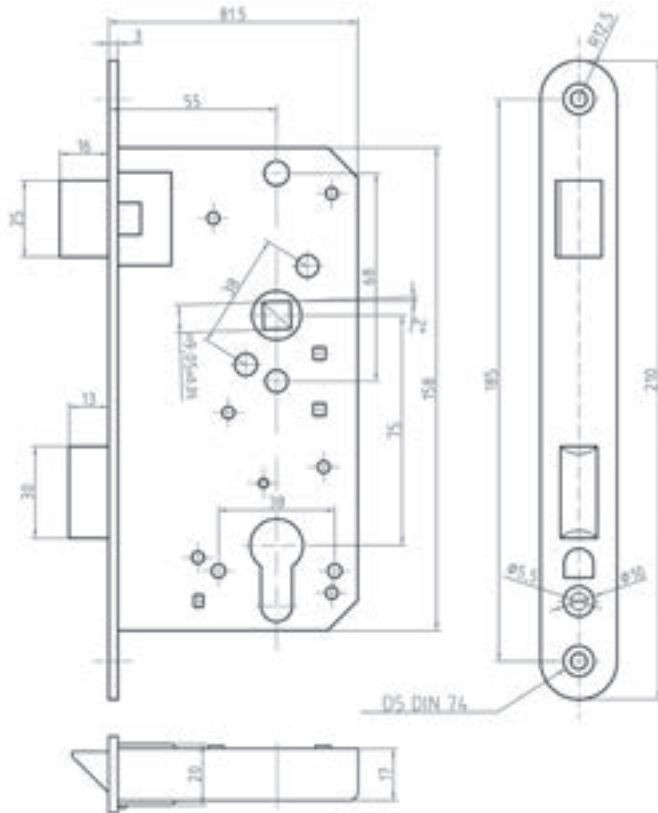


Art.code	Surface	Article description	Unit	Weight
N-100231	S/S brushed	Mortise PC lock, DIN 81301 B, right, solid latch	pc.	0,640
N-100232	S/S brushed	Mortise PC lock, DIN 81301 B, left, solid latch	pc.	0,640
N-100231.4	S/S polished	Mortise PC lock, DIN 81301 B, right, solid latch	pc.	0,630
N-100232.4	S/S polished	Mortise PC lock, DIN 81301 B, left, solid latch	pc.	0,630
N-101231	S/S brushed	Mortise PC lock, DIN 81301 B, right, triple latch	pc.	0,650
N-101232	S/S brushed	Mortise PC lock, DIN 81301 B, left, triple latch	pc.	0,650
N-101231.4	S/S polished	Mortise PC lock, DIN 81301 B, right, triple latch	pc.	0,640
N-101232.4	S/S polished	Mortise PC lock, DIN 81301 B, left, triple latch	pc.	0,640

MORTISE PROFILE CYLINDER LOCKS 16 MM LATCH - MORTISE PC LOCKS FOR A60 DOORS

Mortise locks with 9 mm spindle hole, 55mm backset, distance 75 mm, face plate radius R=12,5 mm

- Mortise lock with 16 mm latch
- Available also with PC change lever
- Recommended door handles article N-1710, striking plates article N-2200 and escutcheons article N-1885
- 8 mm locknut in brass on request
- Faceplate in satin matt or polished on request

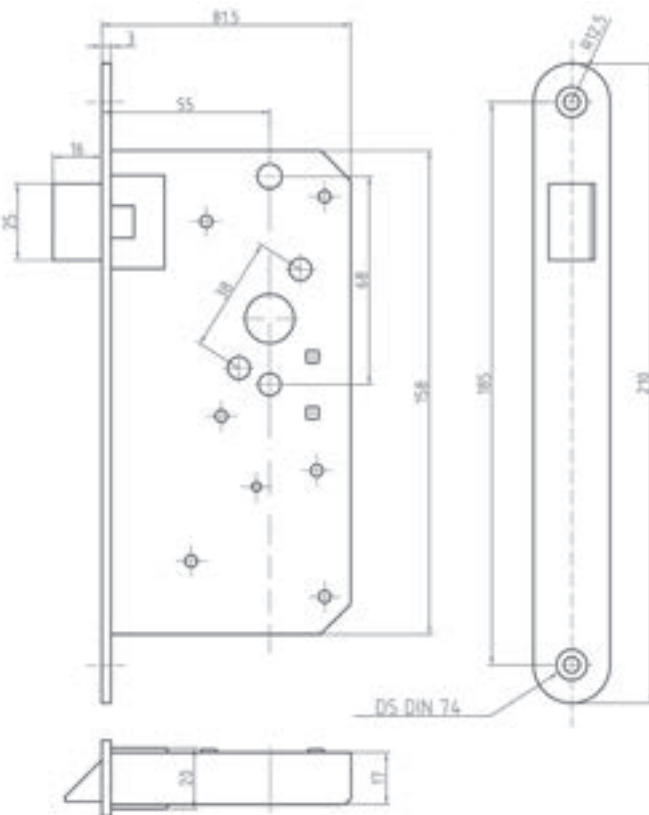


Art.code	Surface	Article description	Unit	Weight
N-100251	S/S brushed	Mortise PC lock, DIN 81301, Right, 16 mm latch for A 60 doors	pc.	0,650
N-100252	S/S brushed	Mortise PC lock, DIN 81301, Left, 16 mm latch for A 60 doors	pc.	0,650

MORTISE CATCH LOCKS 16 MM LATCH - MORTISE CATCH LOCKS FOR A60 DOORS

Mortise catch locks with 9 mm spindle hole, 55mm basket

- On request faceplate in matt or polished surface
- Recommended door handles article N-1710, striking plates article N-2200..F and escutcheons article N-183510...
- 8 mm locknut in brass on request

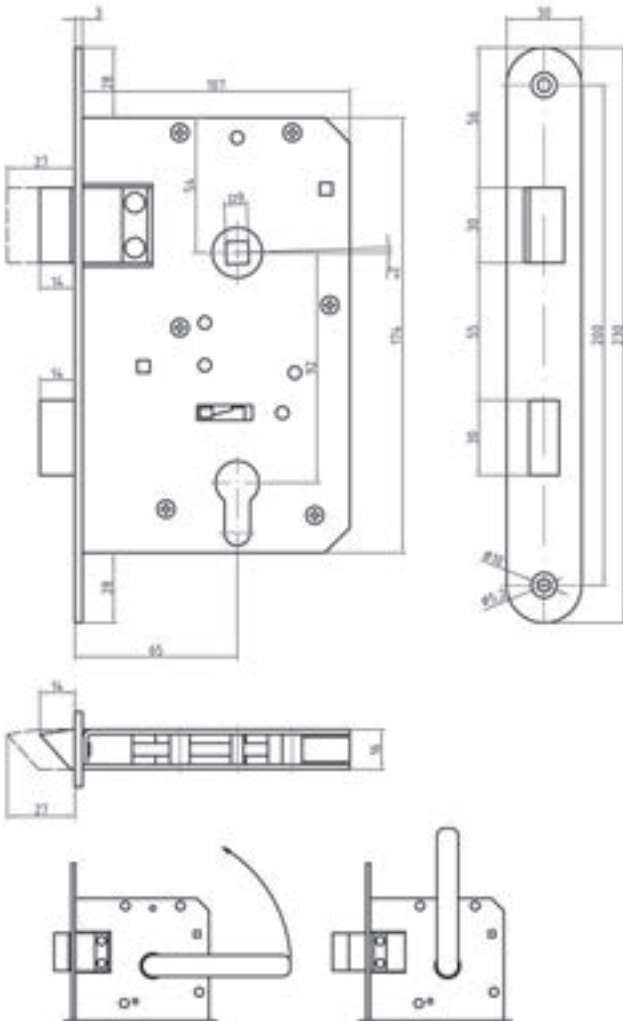


Art.code	Surface	Article description	Unit	Weight
N-100651	S/S brushed	Mortise catch lock, DIN 81301, Right, 16 mm latch for A 60 doors	pc.	0,570
N-100652	S/S brushed	Mortise catch lock, DIN 81301, Left, 16 mm latch for A 60 doors	pc.	0,570

MORTISE WEDGE LOCK - MORTISE WEDGE LOCK 65 MM BACKSET

For pressure tight doors

- For high pressure door closing mechanism as fire, clean room or sound protection doors
- Complete stainless steel material
- Recommended tubular handles see group series N-17...
- 8 mm handles with reduce bush 9/8 mm

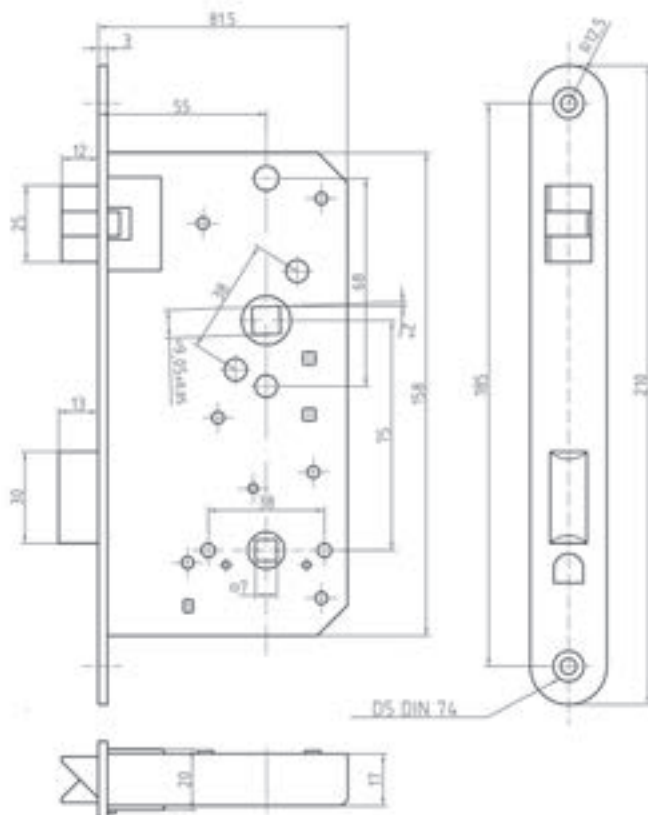


Art.code	Surface	Article description	Unit	Weight
N-100531	S/S brushed	Mortise wedge lock, right, 65/92 mm	pc.	1,095
N-100532	S/S brushed	Mortise wedge lock, left, 65/92 mm	pc.	1,095
N-180200.9-92	S/S matt	Escutcheon plates 230 mm, PC hole, distance 92 mm	pc.	0,260
180200.9-92	Bmc	Escutcheon plates 230 mm, PC hole, distance 92 mm	pc.	0,260

MORTISE LOCKS LAVATORY VERSION - MORTISE LOCK DIN 81303, LAVATORY

Mortise locks with 9 mm spindle hole, 55mm backset, distance 75 mm

- On request faceplate in matt or polished surface
- Recommended door handles article N-1710, striking plates article N-2200 and escutcheons article N-1885...
- 8 mm locknut in brass on request

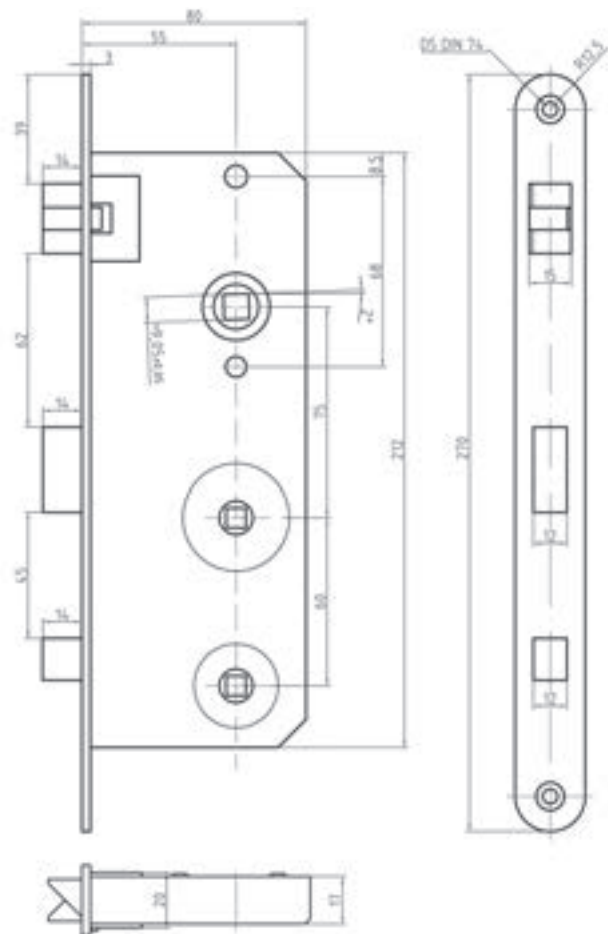


Art.code	Surface	Article description	Unit	Weight
N-100731	S/S brushed	Mortise WC lock, DIN 81303, right, solid latch	pc.	0,660
N-100732	S/S brushed	Mortise WC lock, DIN 81303, left, solid latch	pc.	0,660
N-101731	S/S brushed	Mortise WC lock, DIN 81303 B, right, triple latch	pc.	0,680
N-101732	S/S brushed	Mortise WC lock, DIN 81303 B, left, triple latch	pc.	0,680
N-101731.4	S/S polished	Mortise WC lock, DIN 81303 B, right, triple latch	pc.	0,670
N-101732.4	S/S polished	Mortise WC lock, DIN 81303 B, left, triple latch	pc.	0,670

MORTISE LOCKS LAVATORY VERSION - MORTISE LOCK LAVATORY FOR DOUBLE CABINS

Backset 55/9 mm

- Triple latch bolt
- Fullsize stainless steel
- Escutcheons see article group N-188711/12
- Striking plates see article group N-220031/32
- Door handles article group N-17...

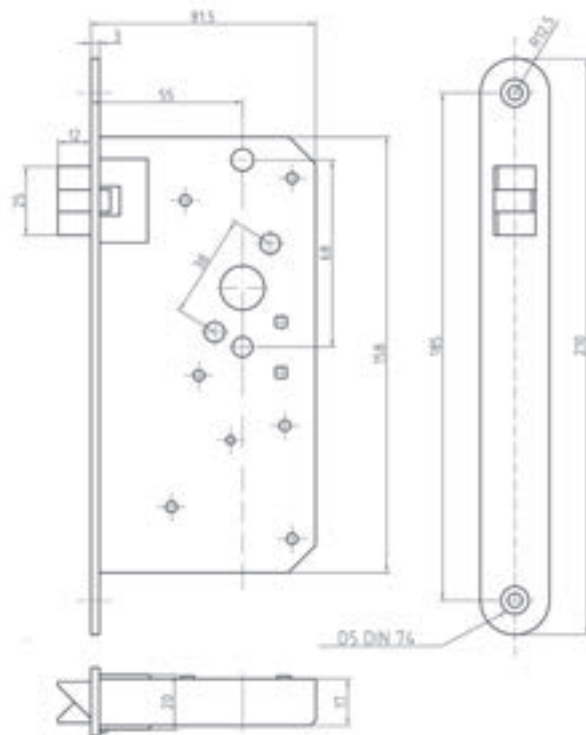


Art.code	Surface	Article description	Unit	Weight
N-105731	S/S brushed	Mortise WC lock, for double cabins, right	pc.	0,960
N-105732	S/S brushed	Mortise WC lock, for double cabins, left	pc.	0,960

MORTISE CATCH LOCKS 12 MM LATCH - MORTISE CATCH LOCKS BACKSET 55 MM

Mortise catch locks with 9 mm spindle hole, 55mm backset

- On request faceplate in matt or polished surface
- Recommended door handles article N-1710, striking plates article N-2200..F and escutcheons article N-183510...
- 8 mm locknut in brass on request

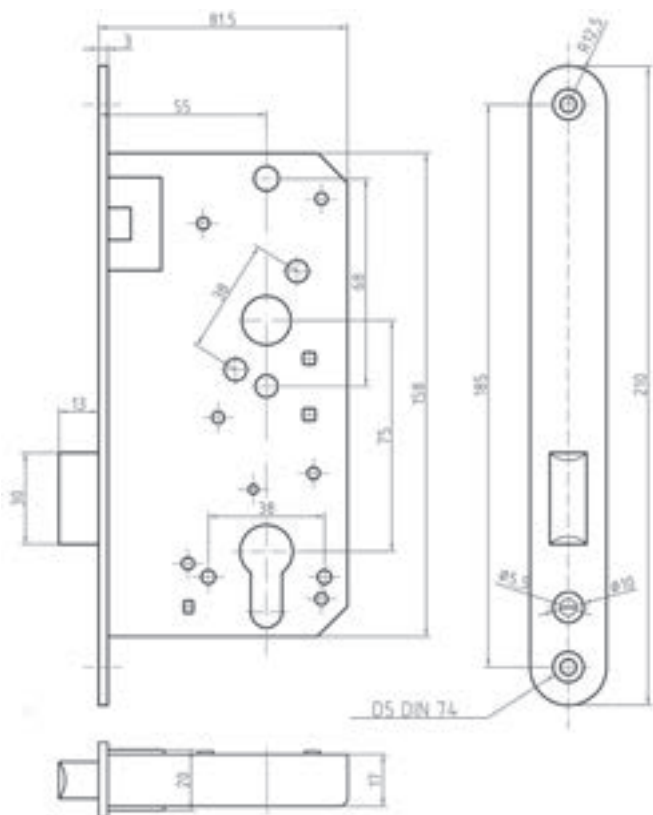


Art.code	Surface	Article description	Unit	Weight
N-100631	S/S brushed	Mortise catch lock, right, solid latch	pc.	0,580
N-100632	S/S brushed	Mortise catch lock, left, solid latch	pc.	0,580
N-101631	S/S brushed	Mortise catch lock, right, triple latch	pc.	0,570
N-101632	S/S brushed	Mortise catch lock, left, triple latch	pc.	0,570
N-101631.4	S/S polished	Mortise catch lock, right, triple latch	pc.	0,570
N-101632.4	S/S polished	Mortise catch lock, left, triple latch	pc.	0,570

MORTISE DEAD LOCKS - MORTISE DEAD LOCKS BACKSET 55 MM

Mortise dead locks with 55mm backset

- On request faceplate in matt or polished surface

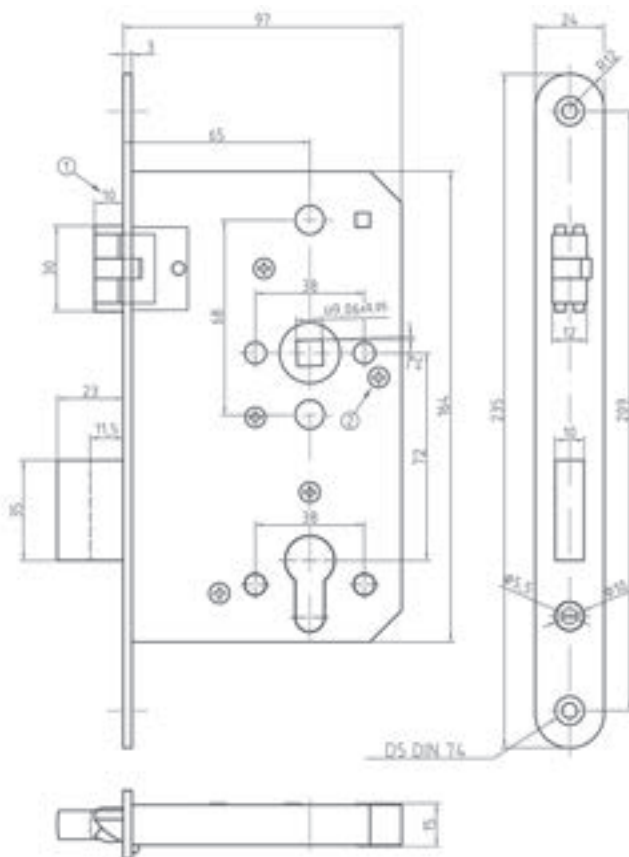


Art.code	Surface	Article description	Unit	Weight
N-105030	S/S brushed	Mortise dead lock, for right and left usage	pc.	0,520
N-105030.4	S/S polished	Mortise dead lock, for right and left usage	pc.	0,520

MORTISE LOCKS 65 MM BACKSET - MORTISE LOCKS 65 MM BACKSET, PROFILE CYLINDER HOLE

Mortise locks with 9 mm spindle hole, 65mm backset

- Mortise lock with 12 mm triple latch
- PC change lever
- Recommended door handles article N-17, striking plates article N-2200 and escutcheons article N-18
- 8 mm locknut on request
- Stronger spring for heavy handles as special version on request
- Faceplate in satin matt surface on request

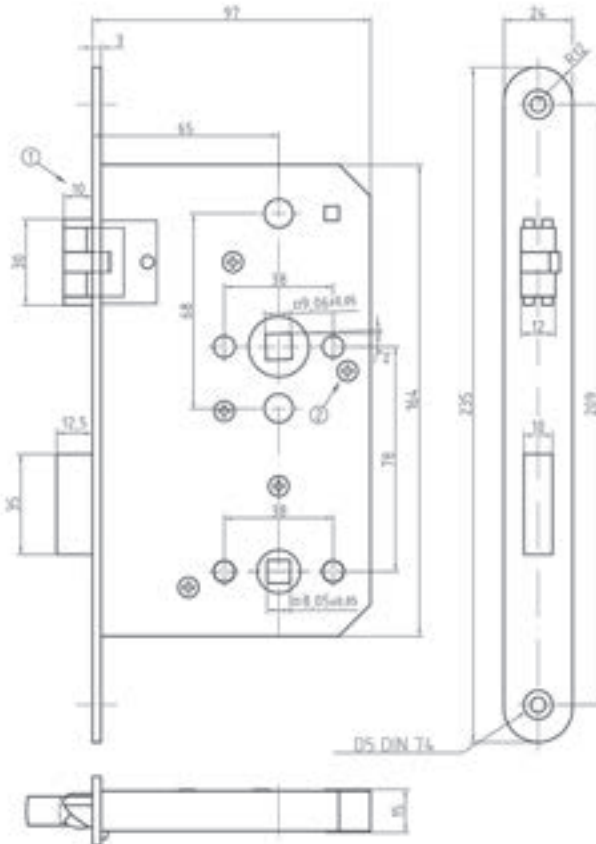


Art.code	Surface	Article description	Unit	Weight
N-10123172	S/S brushed	Mortise PC lock, right, 65/9/72 mm, PC change lever	pc.	0,735
N-10123272	S/S brushed	Mortise PC lock, left, 65/9/72 mm, PC change lever	pc.	0,735
N-10123172.4	S/S polished	Mortise PC lock, right, 65/9/72 mm, PC change lever	pc.	0,735
N-10123272.4	S/S polished	Mortise PC lock, left, 65/9/72 mm, PC change lever	pc.	0,735

MORTISE LOCKS 65 MM BACKSET - MORTISE LOCKS 65 MM BACKSET, LAVATORY VERSION

Mortise locks with 9 mm spindle hole, 65mm backset

- Recommended door handles article N-17, striking plates article N-2200 and escutcheons article N-1885
- 8 mm locknut on request
- Stronger spring for heavy handles as special version on request
- Faceplate in satin matt surface on request

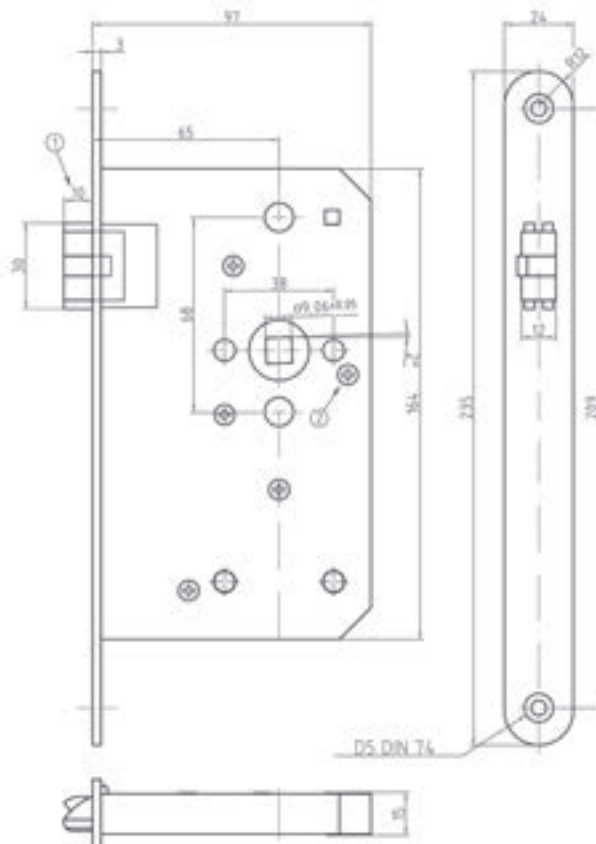


Art.code	Surface	Article description	Unit	Weight
N-10173178	S/S brushed	Mortise WC lock, right, 65/9/78 mm, triple latch	pc.	0,760
N-10173278	S/S brushed	Mortise WC lock, left, 65/9/78 mm, triple latch	pc.	0,760
N-10173178.4	S/S polished	Mortise WC lock, right, 65/9/78 mm, triple latch	pc.	0,760
N-10173278.4	S/S polished	Mortise WC lock, left, 65/9/78 mm, triple latch	pc.	0,760

MORTISE LOCKS 65 MM BACKSET - MORTISE CATCH LOCKS BACKSET 65 MM TRIPLE LATCH

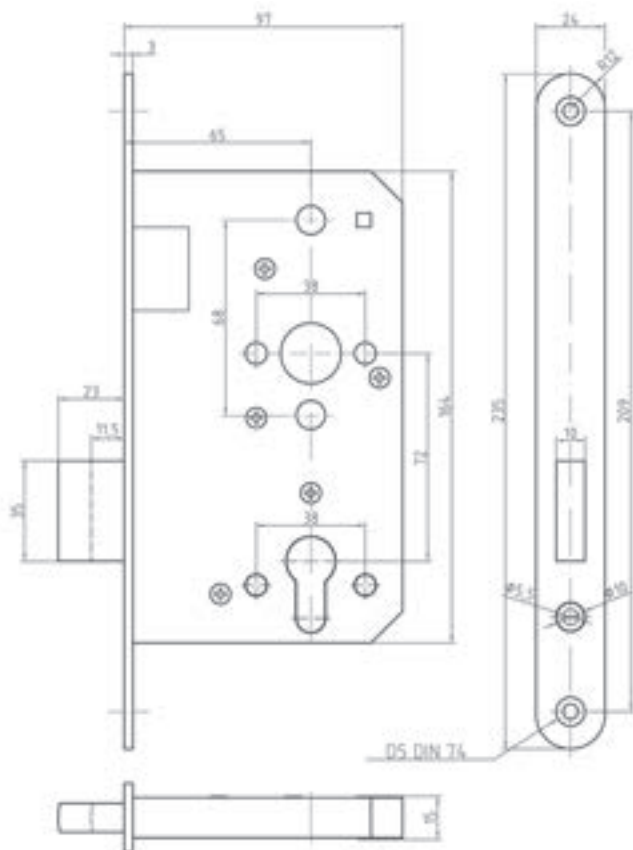
Mortise locks with 9 mm spindle hole, 65mm backset

- Recommended door handles article N-1710, striking plates article N-2200..F and escutcheons article N-184512...
- 8 mm locknut on request
- Stronger spring for heavy handles as special version on request
- Faceplate in satin matt surface on request



Art.code	Surface	Article description	Unit	Weight
N-10163172	S/S brushed	Mortise catch lock, right, backset 65/9 mm	pc.	0,620
N-10163272	S/S brushed	Mortise catch lock, left, backset 65/9 mm	pc.	0,620
N-10163172.4	S/S polished	Mortise catch lock, right, backset 65/9 mm	pc.	0,620
N-10163272.4	S/S polished	Mortise catch lock, left, backset 65/9 mm	pc.	0,620

MORTISE LOCKS 65 MM BACKSET - MORTISE DEAD LOCK BACKSET 65 MM

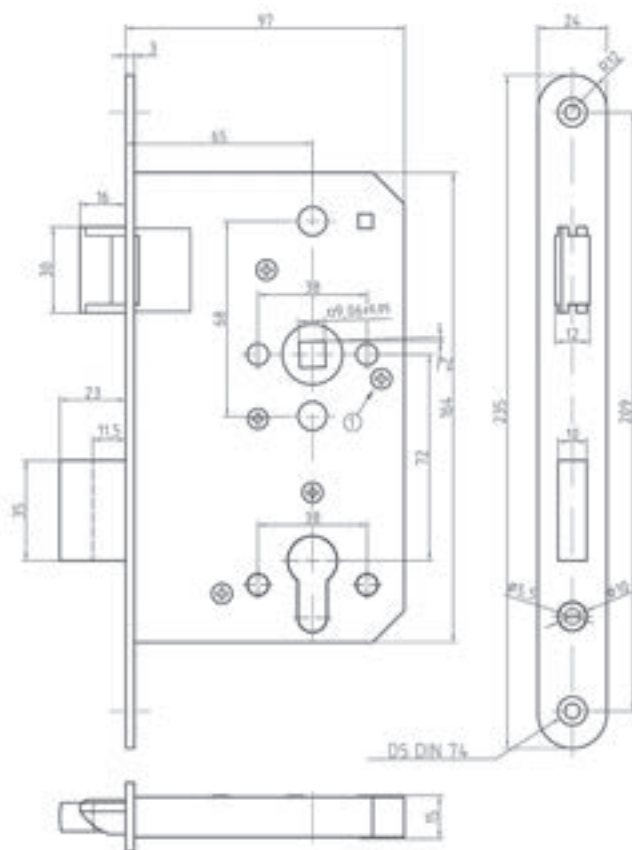


Art.code	Surface	Article description	Unit	Weight
N-10503072	S/S brushed	Mortise dead lock, Right/Left, backset 65/9 mm	pc.	0,550
N-10503072.4	S/S polished	Mortise dead lock, Right/Left, backset 65/9 mm	pc.	0,550

MORTISE LOCKS 65 MM BACKSET - MORTISE LOCKS BACKSET 65 MM SOLID LATCH 16 MM



- Recommended door handles article N-1710, striking plates article N-2200 and escutcheons article N-184512...
- 8 mm locknut on request
- Stronger spring for heavy handles as special version on request
- Faceplate in satin matt surface on request

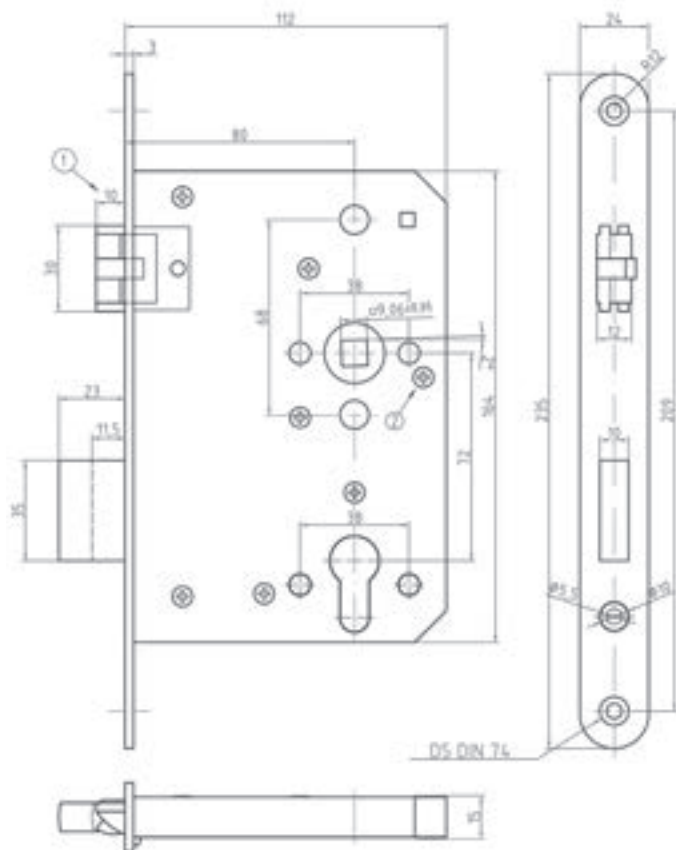


Art.code	Surface	Article description	Unit	Weight
N-10023172	S/S brushed	Mortise PC lock, right, 65/9/72 mm, solid latch 16 mm, PC change lever	pc.	0,740
N-10023272	S/S brushed	Mortise PC lock, left, 65/9/72 mm, solid latch 16 mm, PC change lever	pc.	0,740
N-10023172.4	S/S polished	Mortise PC lock, right, 65/9/72 mm, solid latch 16 mm, PC change lever	pc.	0,740
N-10023272.4	S/S polished	Mortise PC lock, left, 65/9/72 mm, solid latch 16 mm, PC change lever	pc.	0,740

MORTISE LOCKS 80 MM BACKSET - MORTISE LOCKS 80 MM BACKSET

Triple latch 10 mm

- PC change lever
- Recommended door handles article N-17, striking plates article N-2200 and escutcheons article N-18
- 8 mm locknut on request
- Stronger spring for heavy handles as special version on request
- Faceplate in satin matt surface on request

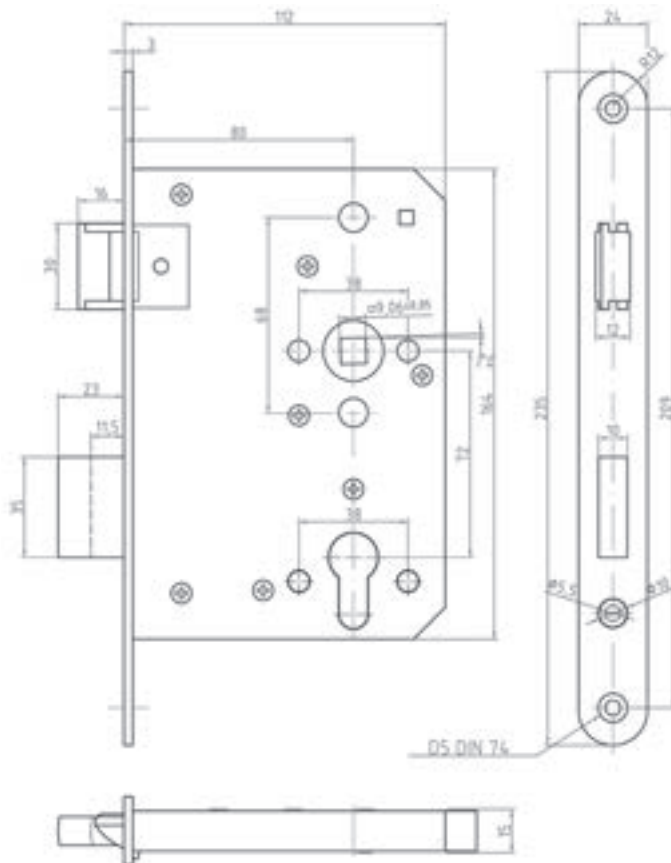


Art.code	Surface	Article description	Unit	Weight
N-10128031	S/S brushed	Mortise PC lock, right, 80/9/72 mm	pc.	0,850
N-10128032	S/S brushed	Mortise PC lock, left, 80/9/72 mm	pc.	0,850
N-10128031.4	S/S polished	Mortise PC lock, right, 80/9/72 mm	pc.	0,850
N-10128032.4	S/S polished	Mortise PC lock, left, 80/9/72 mm	pc.	0,850

MORTISE LOCKS 80 MM BACKSET - MORTISE LOCKS 80 MM BACKSET

Solid latch 16 mm

- Recommended door handles article N-17, striking plates article N-2200 and escutcheons article N-18...
- Stronger spring for heavy handles as special version on request
- 8 mm locknut on request
- Faceplate in satin matt surface on request

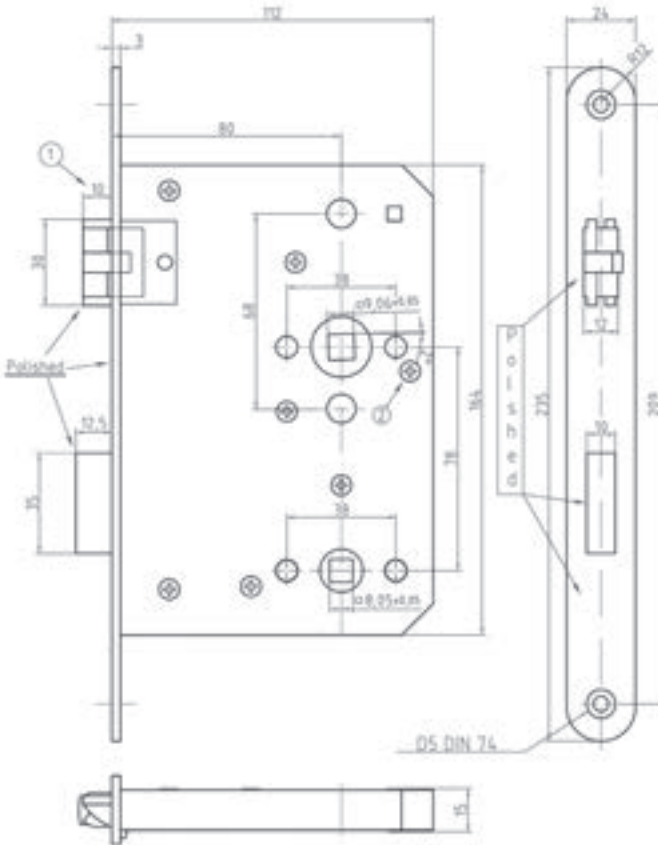


Art.code	Surface	Article description	Unit	Weight
N-10028031	S/S brushed	Mortise PC lock, right, 80/972 mm, solid latch 16 mm	pc.	0,845
N-10028032	S/S brushed	Mortise PC lock, left, 80/972 mm, solid latch 16 mm	pc.	0,845
N-10028031.4	S/S polished	Mortise PC lock, right, 80/972 mm, solid latch 16 mm	pc.	0,845
N-10028032.4	S/S polished	Mortise PC lock, left, 80/972 mm, solid latch 16 mm	pc.	0,845

MORTISE LOCKS 80 MM BACKSET - MORTISE WC LOCKS 80 MM BACKSET

Triple latch 10 mm

- Recommended door handles article N-17, striking plates article N-2200 and escutcheons article N-18...
- Stronger spring for heavy handles as special version on request
- 8 mm locknut on request
- Faceplate in satin matt surface on request



Art.code	Surface	Article description	Unit	Weight
N-10178031	S/S brushed	Mortise WC lock, right, 80/9/78 mm	pc.	0,865
N-10178032	S/S brushed	Mortise WC lock, left, 80/9/78 mm	pc.	0,865
N-10178031.4	S/S polished	Mortise WC lock, right, 80/9/78 mm	pc.	0,865
N-10178032.4	S/S polished	Mortise WC lock, left, 80/9/78 mm	pc.	0,865

THREE POINT LOCK - THREE POINT LOCK STAINLESS STEEL

- Consisting of: 1 main lock (N-10ML01 or 02) and 2 additional catch locks (N-10AL01 or 02)
- Without flat connection bar
- Fullsize stainless steel material



Art.code	Surface	Article description	Unit	Weight
N-10TPL01	S/S brushed	Three point lock, 16 mm latch, right	pc.	2,000
N-10TPL02	S/S brushed	Three point lock, 16 mm latch, left	pc.	2,000

THREE POINT LOCK - THREE POINT LOCK STEEL AND ZINC PLATED

- Consisting of: 1 main lock (S-10ML01 or 02) and 2 additional catch locks (S-10AL01 or 02)
- Without flat connection bar
- Housings steel and zinc plated
- Faceplate stainless steel
- Latch and bar steel and nickle plated



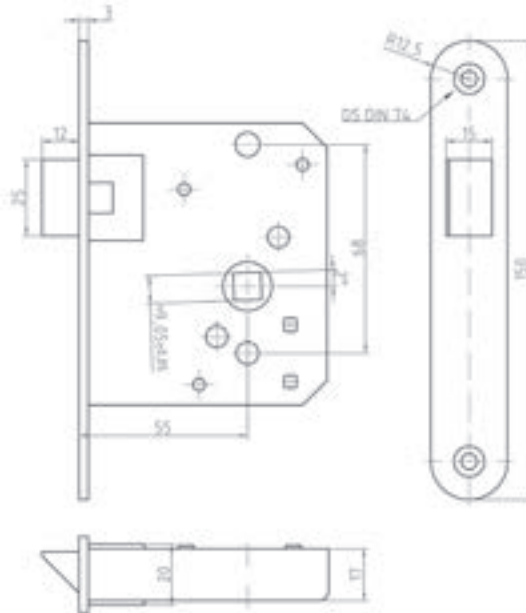
Art.code	Surface	Article description	Unit	Weight
S-10TPL01	Steel zinc	Three point lock, 16 mm latch, right	pc.	2,100
S-10TPL02	Steel zinc	Three point lock, 16 mm latch, left	pc.	2,100

MORTISE CATCH LOCK - MORTISE CATCH LOCK DIN 81306



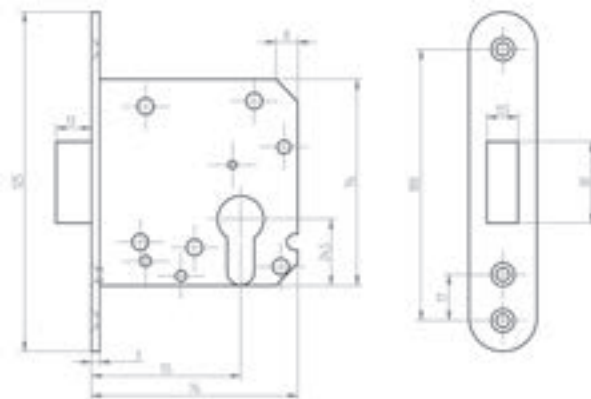
• On request faceplate and latch in polished

• Available with solid or triple latch bolt



Art.code	Surface	Article description	Unit	Weight
N-100331.0	S/S brushed	Mortise catch lock 150 mm, solid latch, right	pc.	0,430
N-100332.0	S/S brushed	Mortise catch lock 150 mm, solid latch, left	pc.	0,430
N-101331.0	S/S brushed	Mortise catch lock 150 mm, triple latch, right	pc.	0,430
N-101332.0	S/S brushed	Mortise catch lock 150 mm, triple latch, left	pc.	0,430

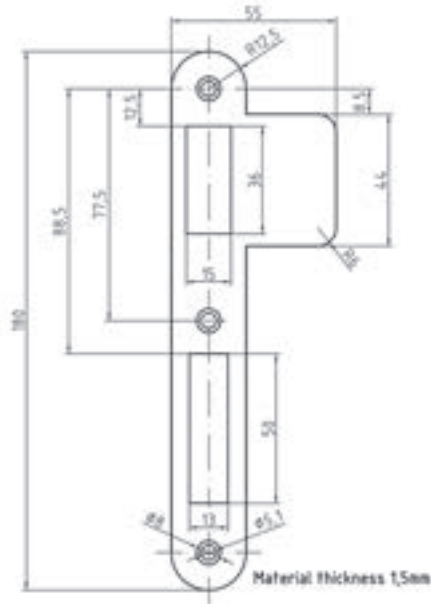
MORTISE DEAD LOCK - MORTISE DEAD LOCK DIN 81302 B



Art.code	Surface	Article description	Unit	Weight
N-100530.0	S/S brushed	Mortise dead lock DIN 81302 B	pc.	0,320
N-100530.4	S/S polished	Mortise dead lock DIN 81302 B	pc.	0,320

STRIKING PLATES DIN 81314 A - STRIKING PLATES FOR MORTISE LOCKS FOR DISTANCE 72-78 MM

Material: 1.4301



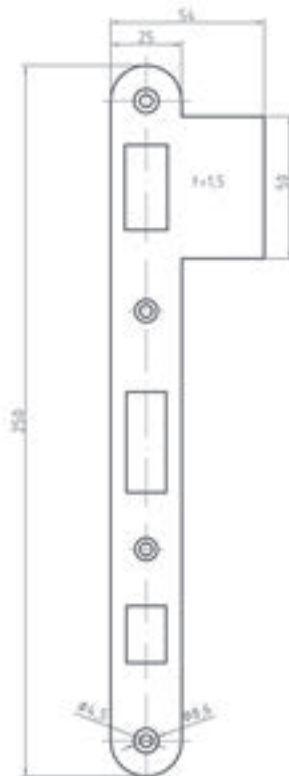
Art.code	Surface	Article description	Unit	Weight
N-220031.0	S/S brushed	Striking plate 25x1,5x180 mm, right, for mortise and rim locks	pc.	0,045
N-220032.0	S/S brushed	Striking plate 25x1,5x180 mm, right, for mortise and rim locks	pc.	0,045
N-220031.4	S/S polished	Striking plate 25x1,5x180 mm, right, for mortise and rim locks	pc.	0,045
N-220032.4	S/S polished	Striking plate 25x1,5x180 mm, left, for mortise and rim locks	pc.	0,045
N-220031.9	S/S matt	Striking plate 25x1,5x180 mm, left, for mortise and rim locks	pc.	0,045
N-220032.9	S/S matt	Striking plate 25x1,5x180 mm, left, for mortise and rim locks	pc.	0,045
N-220031F.0	S/S brushed	Striking plate 25x1,5x180 mm, right, for mortise catch locks	pc.	0,045
N-220032F.0	S/S brushed	Striking plate 25x1,5x180 mm, left, for mortise catch locks	pc.	0,045
N-220031F.4	S/S polished	Striking plate 25x1,5x180 mm, right, for mortise catch locks	pc.	0,045
N-220032F.4	S/S polished	Striking plate 25x1,5x180 mm, left, for mortise catch locks	pc.	0,045
N-220031F.9	S/S matt	Striking plate 25x1,5x180 mm, right, for mortise catch locks	pc.	0,045
N-220032F.9	S/S matt	Striking plate 25x1,5x180 mm, left, for mortise catch locks	pc.	0,045

STRIKING PLATES DIN 81314 A - STRIKING PLATE 250 MM FOR DOUBLE CABIN WC LOCKS

Material: 1.4301

• For double cabin WC lock N-1057...

• Escutcheons see article number N-1887...



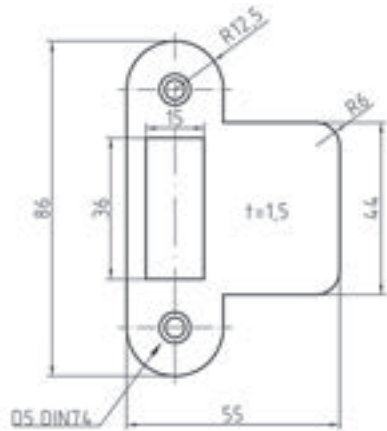
Art.code	Surface	Article description	Unit	Weight
N-220041.0	S/S brushed	Striking plate 25x1,5x250 mm, right, for lock N-1057	pc.	0,065
N-220041.9	S/S matt	Striking plate 25x1,5x250 mm, right, for lock N-1057	pc.	0,065
N-220042.0	S/S brushed	Striking plate 25x1,5x250 mm, left, for lock N-1057	pc.	0,065
N-220042.9	S/S matt	Striking plate 25x1,5x250 mm, left, for lock N-1057	pc.	0,065

STRIKING PLATES DIN 81314 B - STRIKING PLATES FOR CATCH AND RIM LOCKS

Material: 1.4301

• For right and left usage

• Radius R10 or angular on request



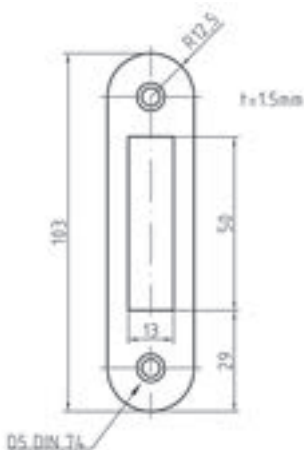
Art.code	Surface	Article description	Unit	Weight
N-220330.0	S/S brushed	Striking plate for catch and rim locks, R=12,5 mm	pc.	0,050
N-220330.4	S/S polished	Striking plate for catch and rim locks, R=12,5 mm	pc.	0,050
N-220330.9	S/S matt	Striking plate for catch and rim locks, R=12,5 mm	pc.	0,050

STRIKING PLATES DIN 81314 C - STRIKING PLATES FOR DEAD AND RIM LOCKS

Material: 1.4301

• For right and left usage

• Radius R10 or angular on request



Art.code	Surface	Article description	Unit	Weight
N-220430.0	S/S brushed	Striking plate for catch and rim locks, R=12,5 mm	pc.	0,050
N-220430.4	S/S polished	Striking plate for catch and rim locks, R=12,5 mm	pc.	0,050
N-220430.9	S/S matt	Striking plate for catch and rim locks, R=12,5 mm	pc.	0,050

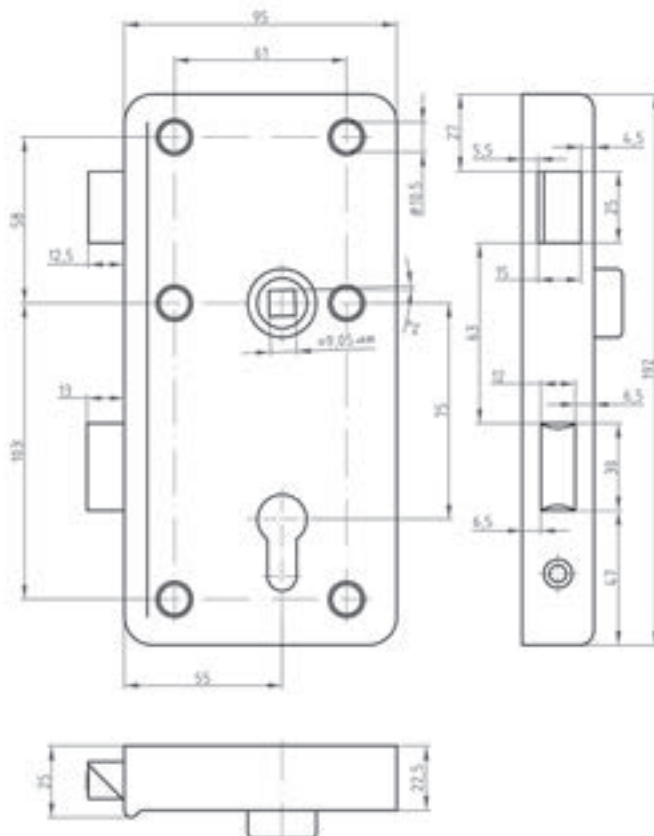
RIM LOCKS DIN 81311 C STAINLESS STEEL - 1102 RIM LOCKS

Rim locks with 9 mm spindle hole, 55mm backset, distance 75 mm

- Available versions: Right or left / In- or outwards
- Recommended escutcheon: N-183519 and door handles N-171139
- Door directions please see also page 9



N-110202

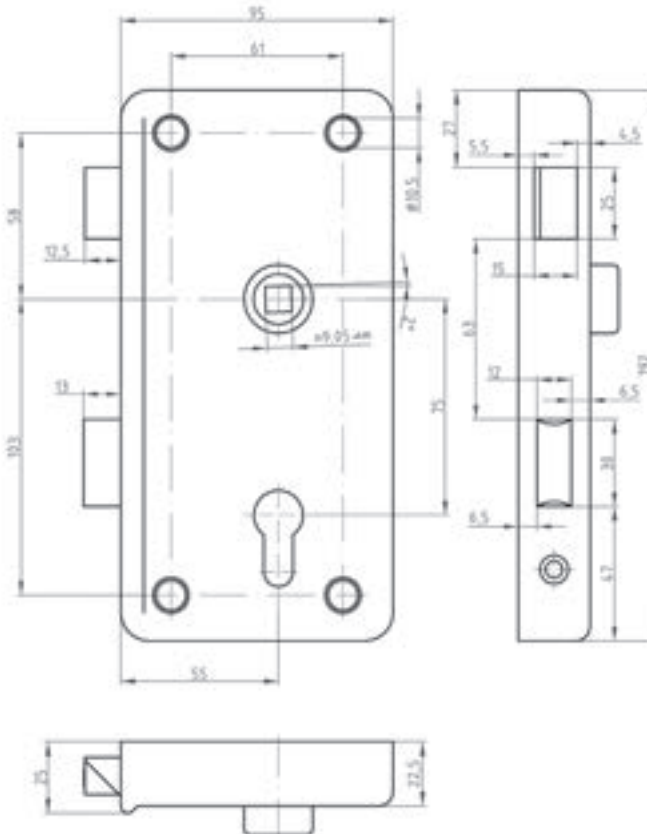


Art.code	Surface	Article description	Unit	Weight
N-110201	S/S matt	Rim lock, Ri/O, 55/9 mm, DIN 81311 C, PC hole	pc.	1,290
N-110202	S/S matt	Rim lock, Le/O, 55/9 mm, DIN 81311 C, PC hole	pc.	1,290
N-110203	S/S matt	Rim lock, Ri/In, 55/9 mm, DIN 81311 C, PC hole	pc.	1,290
N-110204	S/S matt	Rim lock, Le/In, 55/9 mm, DIN 81311 C, PC hole	pc.	1,290

RIM LOCKS DIN 81311 C STAINLESS STEEL - 1102 RIM LOCKS WITH PC CHANGE LEVER (KEY OPENING)

Rim locks with 9 mm spindle hole, 55mm backset, distance 75 mm

- Available versions: Right or left / In- or outwards
- Recommended escutcheon: N-183519 and door handles N-171139
- Door directions please see also page 9
- On request with fixing holes for outside escutcheon



N-110202-W

Art.code	Surface	Article description	Unit	Weight
N-110201-W	S/S matt	Rim lock with change system, Ri/O, 55/9 mm, DIN 81311 C, PC change lever	pc.	1,290
N-110202-W	S/S matt	Rim lock with change system, Le/O, 55/9 mm, DIN 81311 C, PC change lever	pc.	1,290
N-110203-W	S/S matt	Rim lock with change system, Ri/In, 55/9 mm, DIN 81311 C, PC change lever	pc.	1,290
N-110204-W	S/S matt	Rim lock with change system, Le/In, 55/9 mm, DIN 81311 C, PC change lever	pc.	1,290

RIM LOCKS DIN 81311 C STAINLESS STEEL - 1102 RIM LOCKS WITH ANTI PANIC FUNCTION

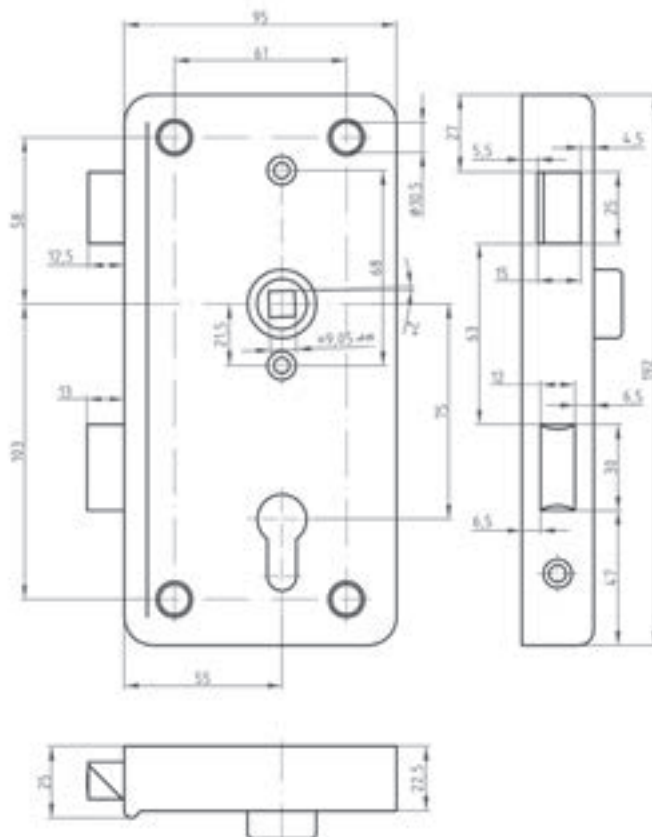
Anti panic rim locks with profile cylinder hole

- Available versions: Right or left / In- or outwards
- Door directions please see also page 9

- Recommended escutcheon article group 1835
- Handle please see N-171194



N-110242-AP

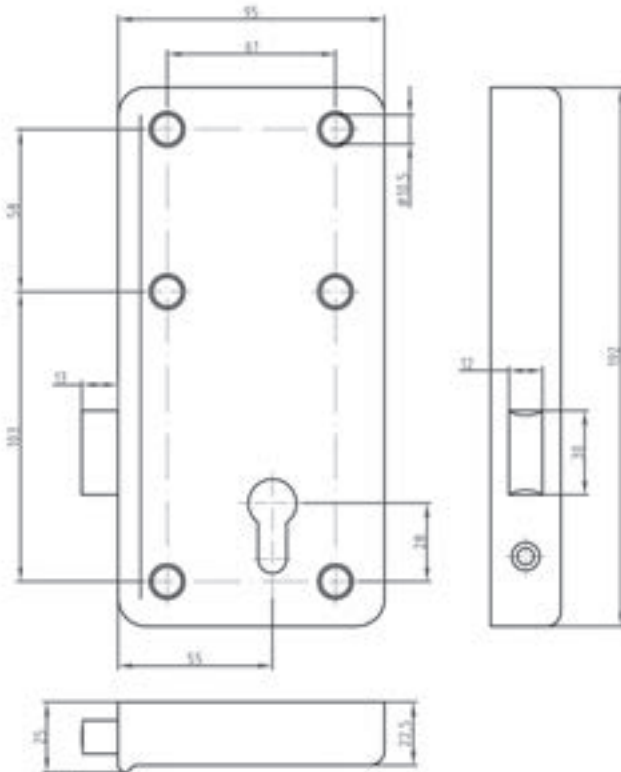


Art.code	Surface	Article description	Unit	Weight
N-110241-AP	S/S matt	Rim lock with anti panic function, Ri/O, 55/9 mm	pc.	1,320
N-110242-AP	S/S matt	Rim lock with anti panic function, Le/O, 55/9 mm	pc.	1,320
N-110243-AP	S/S matt	Rim lock with anti panic function, Ri/In, 55/9 mm	pc.	1,320
N-110244-AP	S/S matt	Rim lock with anti panic function, Le/In, 55/9 mm	pc.	1,320

RIM DEAD LOCKS STAINLESS STEEL - 1103 RIM DEAD LOCK

Dead bolt rim locks with profile cylinder hole

• Door directions please see also page 9



N-110302

Art.code	Surface	Article description	Unit	Weight
N-110301	S/S matt	Rim dead lock, right, PC hole, backset 55 mm	pc.	1,200
N-110302	S/S matt	Rim dead lock, left, PC hole, backset 55 mm	pc.	1,200

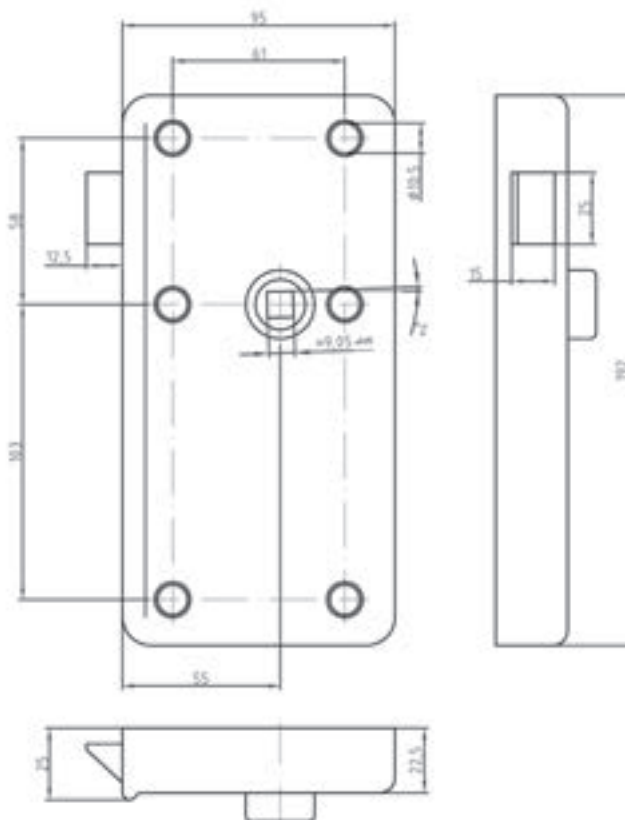
RIM CATCH LOCKS STAINLESS STEEL - 1104 RIM CATCH LOCKS



N-110402

- Available versions: Right or left / In- or outwards
- Door directions please see also page 9

- Recommended escutcheon N-183513... und Drücker N-171139...

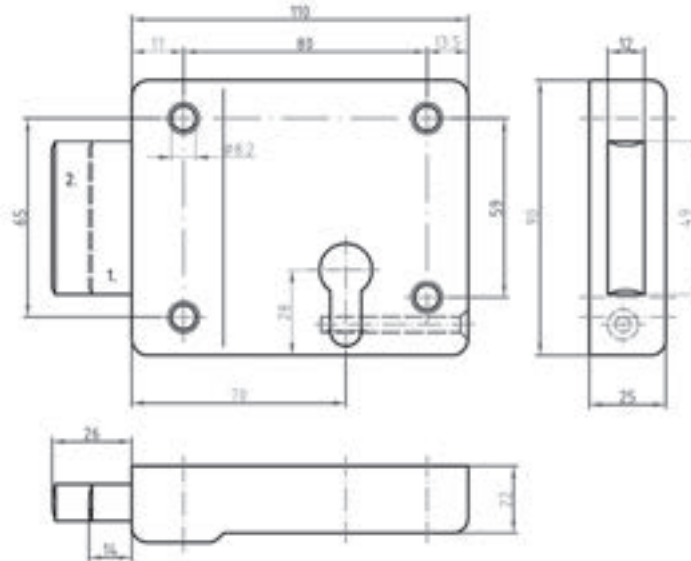


Art.code	Surface	Article description	Unit	Weight
N-110401	S/S matt	Rim catch lock, Ri/O, backset 55 mm	pc.	1,270
N-110402	S/S matt	Rim catch lock, Le/O, backset 55 mm	pc.	1,270
N-110403	S/S matt	Rim catch lock, Ri/In, backset 55 mm	pc.	1,270
N-110404	S/S matt	Rim catch lock, Le/In, backset 55 mm	pc.	1,270

RIM LOCKS DIN 81312 C, DOUBLE TURN STAINLESS STEEL - 1105 RIM LOCKS DOUBLE TURN

Rim locks with 70 mm backset and profile cylinder hole

- Door directions please see also page 9



N-110502

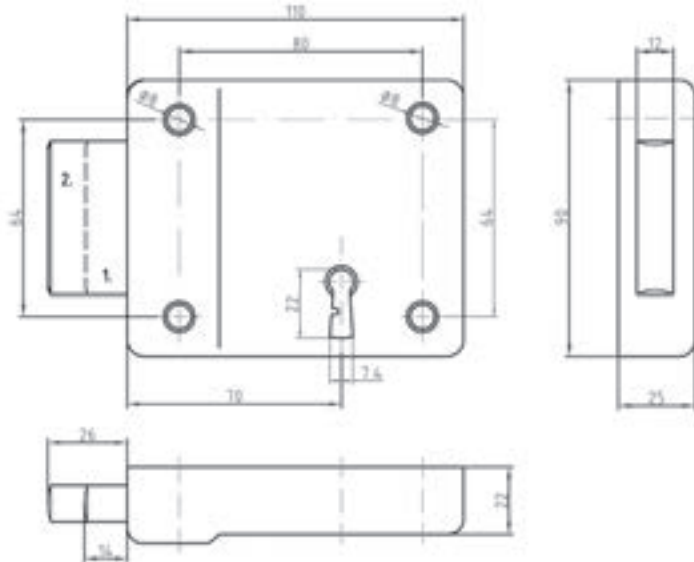
Art.code	Surface	Article description	Unit	Weight
N-110501	S/S matt	Rim lock DIN 81312 C, double turn, right, backset 70 mm	pc.	0,860
N-110502	S/S matt	Rim lock DIN 81312 C, double turn, left, backset 70 mm	pc.	0,860

RIM LOCKS DIN 81312 D, DOUBLE TURN STAINLESS STEEL - 1106 RIM LOCKS DOUBLE TURN

Rim locks with 70 mm backset and tumbler hole

• Door directions please see also page 9

• Delivered with 2 keys

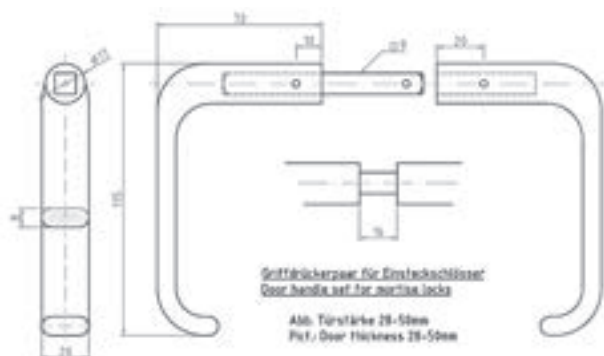


Art.code	Surface	Article description	Unit	Weight
N-110601	S/S matt	Rim lock DIN 81312 D, double turn, right, backset 70 mm	pc.	1,050
N-110602	S/S matt	Rim lock DIN 81312 D, double turn, left, backset 70 mm	pc.	1,050

DOOR HANDLES FOR MORTISE LOCKS - STAINLESS STEEL HANDLES FOR MORTISE LOCKS

• Please indicate door thickness in the order

• Application: for door thickness 28-70 mm



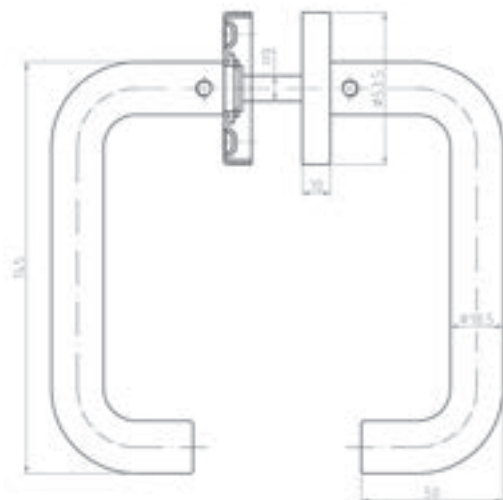
Art.code	Surface	Article description	Unit	Weight
N-171099.0	S/S brushed	Door handles 115 mm, 9 mm spindle, for doors 28-50 mm	set	0,450
N-171099.4	S/S polished	Door handles 115 mm, 9 mm spindle, for doors 28-50 mm	set	0,450
N-171099.9	S/S matt	Door handles 115 mm, 9 mm spindle, for doors 28-50 mm	set	0,450
N-171096.0	S/S brushed	Door handles 115 mm, 9 mm spindle, for doors 48-70 mm	set	0,475
N-171096.4	S/S polished	Door handles 115 mm, 9 mm spindle, for doors 48-70 mm	set	0,475
N-171096.9	S/S matt	Door handles 115 mm, 9 mm spindle, for doors 48-70 mm	set	0,475

DOOR HANDLES FOR MORTISE LOCKS - TUBULAR U-HANDLE

For door thickness 28-71 mm

• Please indicate door thickness in the order
• Handles with 8 mm spindle on request

• Complete with rosettes, 9 mm spindle and fixing screws



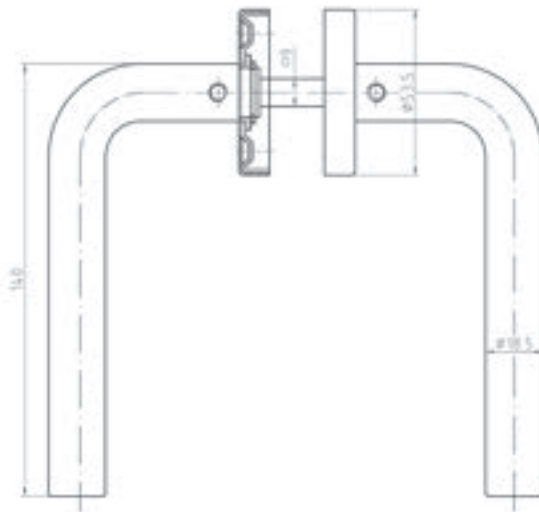
Art.code	Surface	Article description	Unit	Weight
N-171509.0	S/S brushed	Tubular door handles U-Form, length 145 mm, door thickness 28-70 mm	set	0,360
N-171509.4	S/S polished	Tubular door handles U-Form, length 145 mm, door thickness 28-70 mm	set	0,360
N-171509.9	S/S matt	Tubular door handles U-Form, length 145 mm, door thickness 28-70 mm	set	0,360

DOOR HANDLES FOR MORTISE LOCKS - TUBULAR L-HANDLES

Door thickness 28-70 mm

- Please indicate door thickness in the order
- Handles with 8 mm spindle on request

- Complete with rosettes, 9 mm spindle and fixing screws



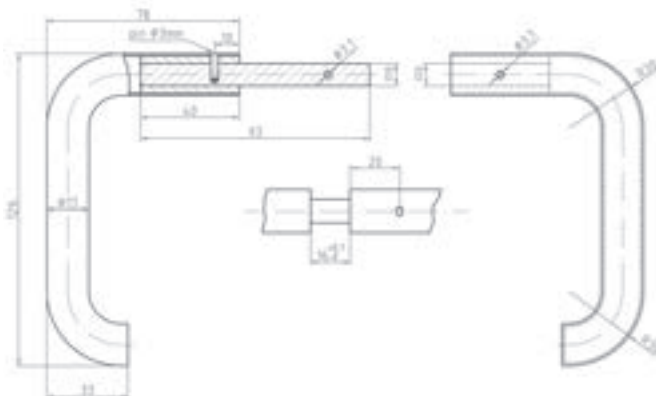
Art.code	Surface	Article description	Unit	Weight
N-171809.0	S/S brushed	Tubular door handles L-Form, length 140 mm, door thickness 28-70 mm	set	0,340
N-171809.4	S/S polished	Tubular door handles L-Form, length 140 mm, door thickness 28-70 mm	set	0,340
N-171809.9	S/S matt	Tubular door handles L-Form, length 140 mm, door thickness 28-70 mm	set	0,340

DOOR HANDLES FOR MORTISE LOCKS - TUBULAR HANDLES FOR N-1835...

Shaft 17 mm

- Please indicate door thickness in the order

- Tube diameter 17 mm



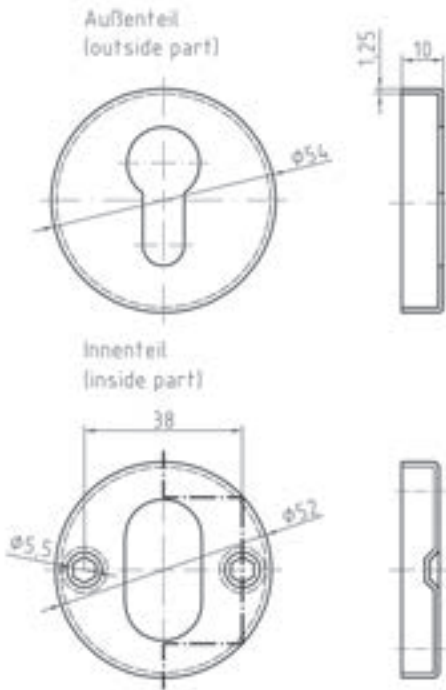
Art.code	Surface	Article description	Unit	Weight
N-171309.0	S/S brushed	Tubular door handles with 9 mm spindle, door thickness 28-70 mm	set	0,235
N-171309.4	S/S polished	Tubular door handles with 9 mm spindle, door thickness 28-70 mm	set	0,235
N-171309.9	S/S matt	Tubular door handles with 9 mm spindle, door thickness 28-70 mm	set	0,235

ROSETS PC - PROFILE CYLINDER ROSET SET ROUND

Rosettes for door thickness 28-70 mm

• Please indicate door thickness in the order

• Complete with fixing screw set



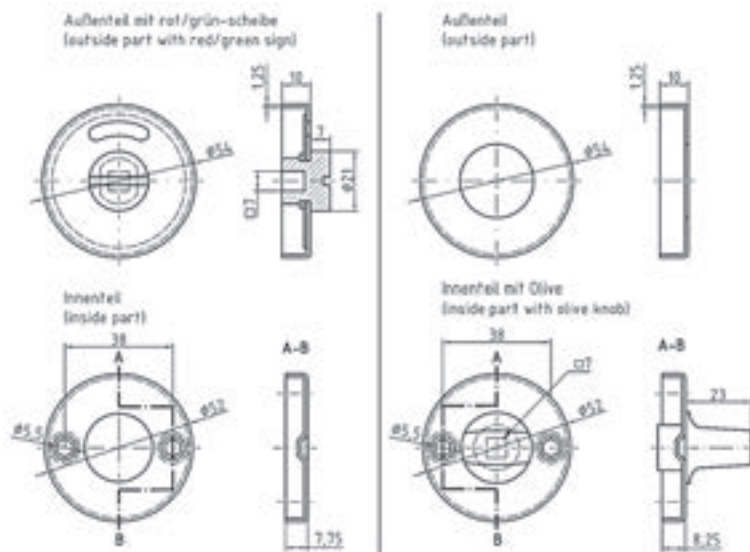
Art.code	Surface	Article description	Unit	Weight
N-180209.0	S/S brushed	PC escutcheons pair with invisible fixing holes	set	0,090
N-180209.4	S/S polished	PC escutcheons pair with invisible fixing holes	set	0,090
N-180209.9	S/S matt	PC escutcheons pair with invisible fixing holes	set	0,090

ESCUTCHEONS ROUND FOR LAVATORY VERSION - LAVATORY ESCUTCHEONS

Rosettes for door thickness 28-70 mm

• Please indicate door thickness in the order

• Complete with fixing screw set

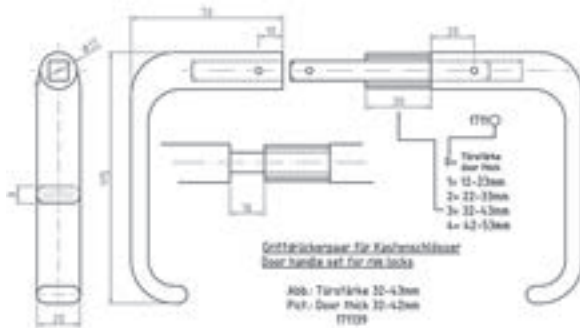


Art.code	Surface	Article description	Unit	Weight
N-181500.0	S/S brushed	WC escutcheon pair in/outside, red/green sign and olive, spindle 7 mm	set	0,180
N-181500.4	S/S polished	WC escutcheon pair in/outside, red/green sign and olive, spindle 7 mm	set	0,180
N-181500.9	S/S matt	WC escutcheon pair in/outside, red/green sign and olive, spindle 7 mm	set	0,180
N-181600.0	S/S brushed	WC escutcheon pair in/outside, red/green sign and olive, spindle 8 mm	set	0,180
N-181600.4	S/S polished	WC escutcheon pair in/outside, red/green sign and olive, spindle 8 mm	set	0,180
N-181600.9	S/S matt	WC escutcheon pair in/outside, red/green sign and olive, spindle 8 mm	set	0,180

DOOR HANDLES FOR RIM LOCKS DIN 81317 E - HANDLES FOR RIM LOCKS 9 MM SPINDLE

• Please indicate door thickness on the order

• For rim locks: door thickness 12-73 mm



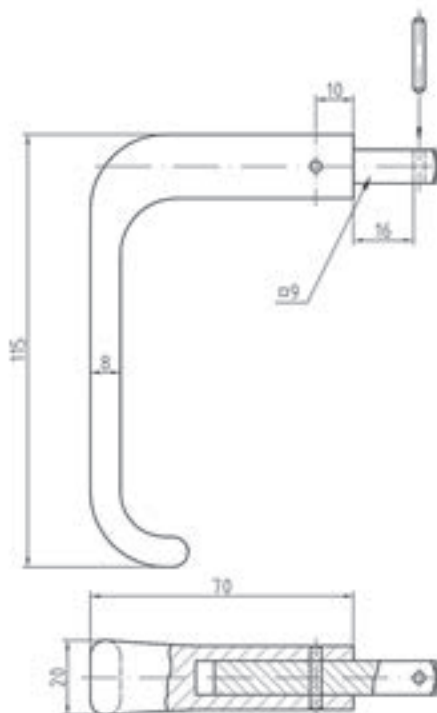
Art.code	Surface	Article description	Unit	Weight
N-171139.0	S/S brushed	Door handles DIN 81317 E, for rim locks, for doors 32-43 mm	set	0,500
N-171139.4	S/S polished	Door handles DIN 81317 E, for rim locks, for doors 32-43 mm	set	0,500
N-171139.9	S/S matt	Door handles DIN 81317 E, for rim locks, for doors 32-43 mm	set	0,500
N-171149.0	S/S brushed	Door handles DIN 81317 E, for rim locks, for doors 42-53 mm	set	0,510
N-171149.4	S/S polished	Door handles DIN 81317 E, for rim locks, for doors 42-53 mm	set	0,510
N-171149.9	S/S matt	Door handles DIN 81317 E, for rim locks, for doors 42-53 mm	set	0,510
N-171169.0	S/S brushed	Door handles DIN 81317 E, for rim locks, for doors 62-72 mm	set	0,540
N-171169.4	S/S polished	Door handles DIN 81317 E, for rim locks, for doors 62-72 mm	set	0,540
N-171169.9	S/S matt	Door handles DIN 81317 E, for rim locks, for doors 62-72 mm	set	0,540

DOOR HANDLE FOR ANTI PANIC LOCK - DOOR HANDLE FOR ANTI PANIC LOCK



• Please indicate door thickness on the order

• For rim locks: door thickness 12-73 mm

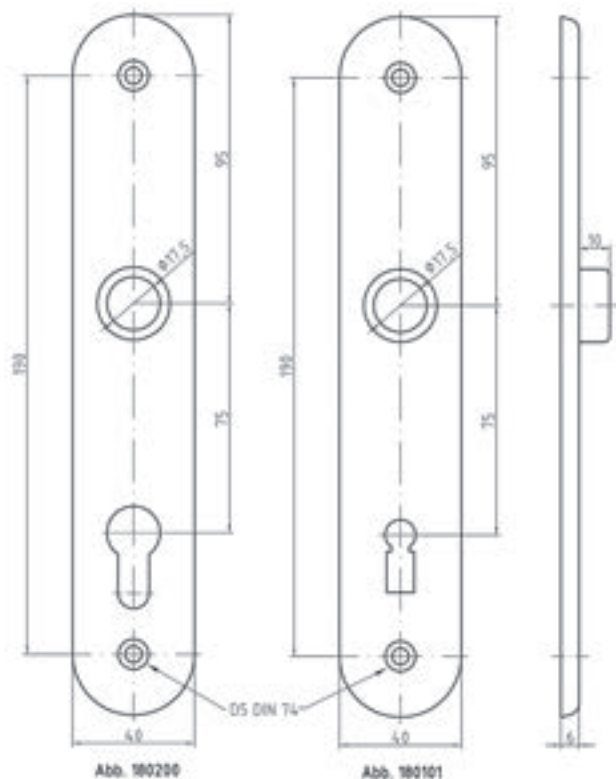


Art.code	Surface	Article description	Unit	Weight
N-171194.0-W	S/S brushed	Door handle for anti panic lock, 9 mm spindle	pc.	0,225
N-171194.4-W	S/S polished	Door handle for anti panic lock, 9 mm spindle	pc.	0,225
N-171194.9-W	S/S matt	Door handle for anti panic lock, 9 mm spindle	pc.	0,225

LONG ESCUTCHEONS 230 MM - ESCUTCHEONS RD 230 MM

• Distance 72 mm on request

• Profile cylinder version also available with stainless steel coverplate 12/17 mm or brass coverplate 17 mm



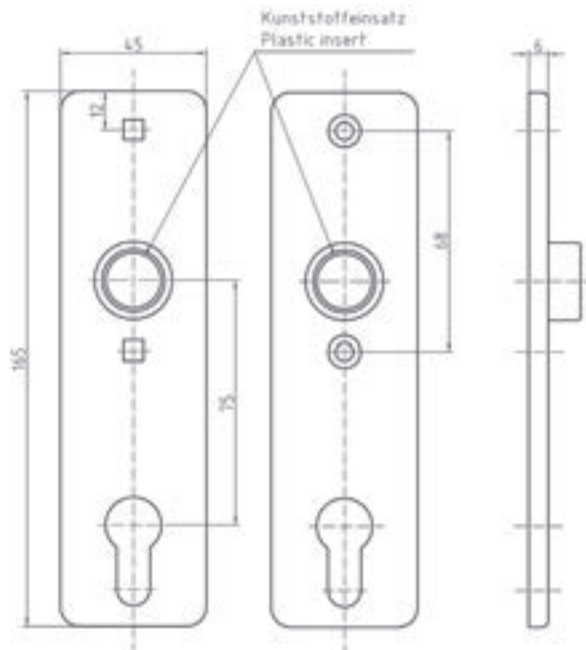
Art.code	Surface	Article description	Unit	Weight
N-180001.0	S/S brushed	Escutcheon 230 mm, WC outside with red-green sign	pc.	0,130
N-180001.4	S/S polished	Escutcheon 230 mm, WC outside with red-green sign	pc.	0,130
N-180001.9	S/S matt	Escutcheon 230 mm, WC outside with red-green sign	pc.	0,130
N-180002.0	S/S brushed	Escutcheon 230 mm, WC inside with olive	pc.	0,130
N-180002.4	S/S polished	Escutcheon 230 mm, WC inside with olive	pc.	0,130
N-180002.9	S/S matt	Escutcheon 230 mm, WC inside with olive	pc.	0,130
N-180101.0	S/S brushed	Escutcheon 230 mm, key hole	pc.	0,130
N-180101.4	S/S polished	Escutcheon 230 mm, key hole	pc.	0,130
N-180101.9	S/S matt	Escutcheon 230 mm, key hole	pc.	0,130
N-180200.0	S/S brushed	Escutcheon 230 mm, PC hole	pc.	0,130
N-180200.4	S/S polished	Escutcheon 230 mm, PC hole	pc.	0,130
N-180200.9	S/S matt	Escutcheon 230 mm, PC hole	pc.	0,130
N-180300.0	S/S brushed	Escutcheon 230 mm, blind	pc.	0,140
N-180300.4	S/S polished	Escutcheon 230 mm, blind	pc.	0,140
N-180300.9	S/S matt	Escutcheon 230 mm, blind	pc.	0,140
N-180202.0	S/S brushed	Escutcheon 230 mm, PC hole with S/S coverplate 12 mm	pc.	0,130
N-180202.4	S/S polished	Escutcheon 230 mm, PC hole with S/S coverplate 12 mm	pc.	0,130
N-180202.9	S/S matt	Escutcheon 230 mm, PC hole with S/S coverplate 12 mm	pc.	0,130

ESCUTCHEONS ANGULAR - ESCUTCHEONS 165X45 MM

Escutcheon plates 165x45 mm are delivered completely with PE rosette insert, screws and nuts



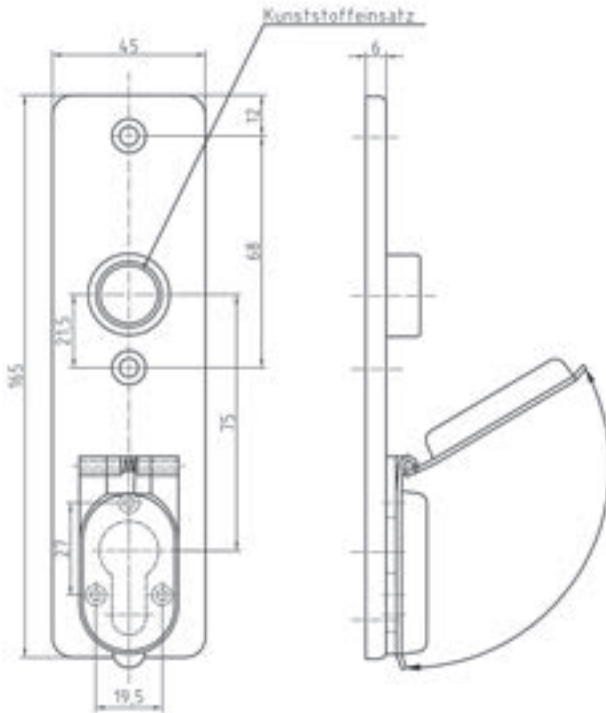
- Also available versions: key hole, lavatory set or blind
- Distances 72, 75 or lavatory version 78 mm
- Escutcheon plates also available as single plates with round or square hole
- complete with set screw M5x65 mm and nut



Art.code	Surface	Article description	Unit	Weight
N-183510.0	S/S brushed	Escutcheon pair 165x45 mm, blind	set	0,210
N-183510.4	S/S polished	Escutcheon pair 165x45 mm, blind	set	0,210
N-183510.9	S/S matt	Escutcheon pair 165x45 mm, blind	set	0,210
N-183511.0	S/S brushed	Escutcheon pair 165x45 mm, key hole, distance 75 mm	set	0,220
N-183511.4	S/S polished	Escutcheon pair 165x45 mm, key hole, distance 75 mm	set	0,220
N-183511.9	S/S matt	Escutcheon pair 165x45 mm, key hole, distance 75 mm	set	0,220
N-183512.0	S/S brushed	Escutcheon pair 165x45 mm, PC hole, distance 75 mm	set	0,200
N-183512.4	S/S polished	Escutcheon pair 165x45 mm, PC hole, distance 75 mm	set	0,200
N-183512.9	S/S matt	Escutcheon pair 165x45 mm, PC hole, distance 75 mm	set	0,200
N-184512.0	S/S brushed	Escutcheon pair 165x45 mm, PC hole, distance 72 mm	set	0,200
N-184512.4	S/S polished	Escutcheon pair 165x45 mm, PC hole, distance 72 mm	set	0,200
N-183512.9	S/S matt	Escutcheon pair 165x45 mm, PC hole, distance 72 mm	set	0,200
N-183513.0	S/S brushed	Escutcheon 165x45 mm, blind, round fixing holes, without screws	pc.	0,100
N-183513.4	S/S polished	Escutcheon 165x45 mm, blind, round fixing holes, without screws	pc.	0,100
N-183513.9	S/S matt	Escutcheon 165x45 mm, blind, round fixing holes, without screws	pc.	0,100
N-183517.0	S/S brushed	Escutcheon 165x45 mm, PC hole, round fixing holes, without screws	pc.	0,105
N-183517.4	S/S polished	Escutcheon plate 165x45 mm, PC hole, round fixing holes, without screws	pc.	0,105
N-183517.9	S/S matt	Escutcheon plate 165x45 mm, PC hole, round fixing holes, without screws	pc.	0,105

ESCUTCHEONS WITH COVERPLATE - ESCUTCHEONS 165X45 MM WITH COVERPLATE

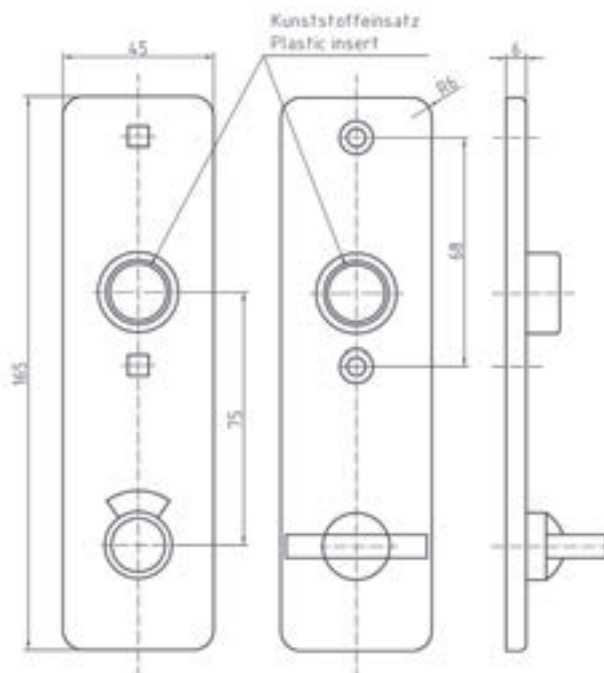
- Cover and counterplate in stainless steel A2 material
- Coverplate on request separately complete with assembly screws = N-183599



Art.code	Surface	Article description	Unit	Weight
N-183518.0	S/S brushed	Escutcheon 165x45 mm, PC hole, S/S coverplate, 75 mm, angular fixing holes	pc.	0,150
N-183518.4	S/S polished	Escutcheon 165x45 mm, PC hole, S/S coverplate, 75 mm, angular fixing holes	pc.	0,150
N-183518.9	S/S matt	Escutcheon 165x45 mm, PC hole, S/S coverplate, 75 mm, angular fixing holes	pc.	0,150
N-183519.0	S/S brushed	Escutcheon 165x45 mm, PC hole, S/S coverplate, 75 mm, round fixing holes	pc.	0,150
N-183519.4	S/S polished	Escutcheon 165x45 mm, PC hole, S/S coverplate, 75 mm, round fixing holes	pc.	0,150
N-183519.9	S/S matt	Escutcheon 165x45 mm, PC hole, S/S coverplate, 75 mm, round fixing holes	pc.	0,150

ESCUTCHEONS FOR LAVATORY VERSION - ESCUTCHEONS 165X45 MM, LAVATORY VERSION

- Escutcheon plates also available single with round or square hole

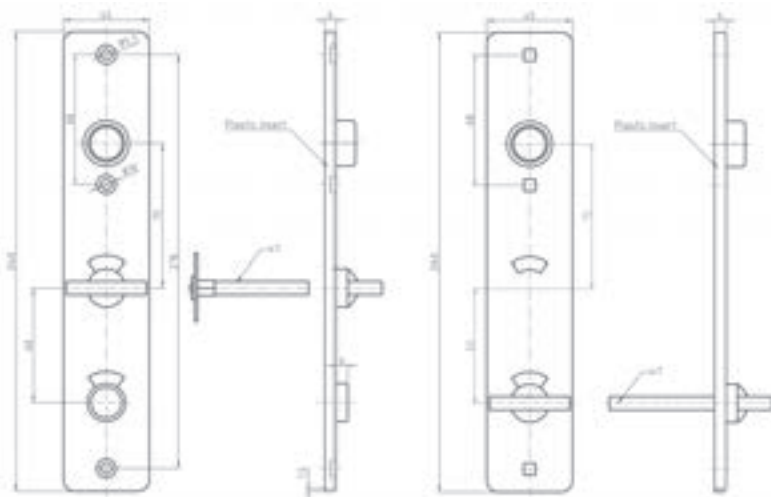


Art.code	Surface	Article description	Unit	Weight
N-188511.0	S/S brushed	Escutcheon WC outside with red/green sign, 165x45 mm, 75 mm	pc.	0,110
N-188511.4	S/S polished	Escutcheon WC outside with red/green sign, 165x45 mm, 75 mm	pc.	0,110
N-188511.9	S/S matt	Escutcheon WC outside with red/green sign, 165x45 mm, 75 mm	pc.	0,110
N-188512.0	S/S brushed	Escutcheon WC inside with brass olive, 165x45 mm, 75 mm	pc.	0,210
N-188512.4	S/S polished	Escutcheon WC inside with brass olive, 165x45 mm, 75 mm	pc.	0,210
N-188512.9	S/S matt	Escutcheon WC inside with brass olive, 165x45 mm, 75 mm	pc.	0,210

ESCUTCHEONS FOR LAVATORY VERSION - ESCUTCHEONS WC FOR DOUBLE CABINS

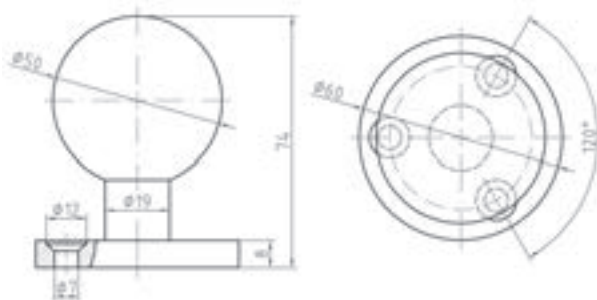
- Spindle 7 mm
- Lock see article number N-1057...

- Striking plates see article number N-22004...



Art.code	Surface	Article description	Unit	Weight
N-188711.0	S/S brushed	Escutcheon WC 240x45x6 mm for double cabins, WC side	pc.	0,210
N-188711.9	S/S matt	Escutcheon WC 240x45x6 mm for double cabins, WC side	pc.	0,210
N-188712.0	S/S brushed	Escutcheon WC 240x45x6 mm for double cabins, Cabin side	pc.	0,230
N-188712.9	S/S matt	Escutcheon WC 240x45x6 mm for double cabins, Cabin side	pc.	0,230

DOOR KNOB - DOOR KNOB 50 MM



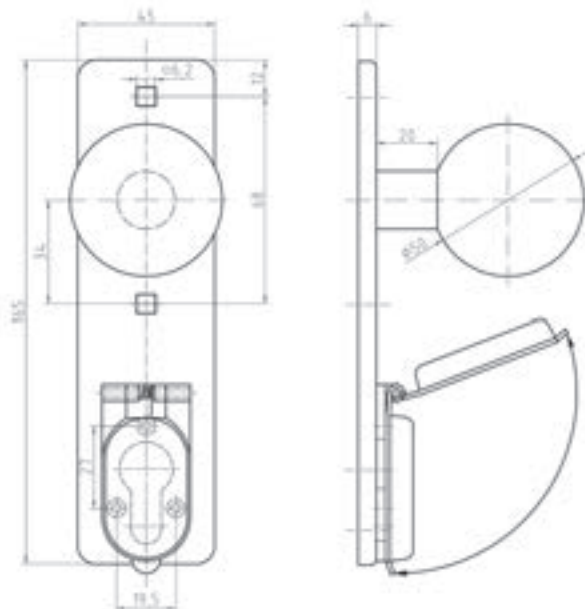
Art.code	Surface	Article description	Unit	Weight
N-183540.0	S/S brushed	Knob Rd 50 mm, on fixing plate Rd 60x8 mm	pc.	0,230
N-183540.4	S/S polished	Knob Rd 50 mm, on fixing plate Rd 60x8 mm	pc.	0,230
N-183540.9	S/S matt	Knob Rd 50 mm, on fixing plate Rd 60x8 mm	pc.	0,230

ESCUTCHEONS WITH ROUND KNOB - ESCUTCHEONS WITH KNOB AND COVERPLATE



- With angular fixing holes, for outside doors
- on request distance 72 mm

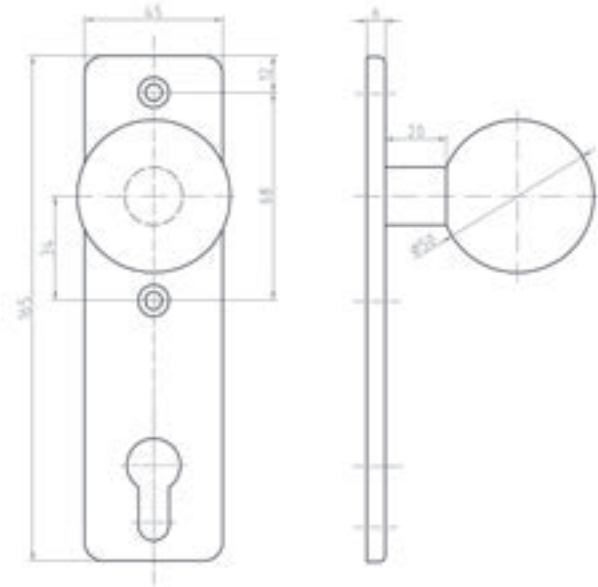
- fixing screws to be ordered separately based on door thickness



Art.code	Surface	Article description	Unit	Weight
N-183535.0	S/S brushed	Escutcheon 165x45 mm with knob Rd 50 mm and coverplate 12 mm	pc.	0,180
N-183535.4	S/S polished	Escutcheon 165x45 mm with knob Rd 50 mm and coverplate 12 mm	pc.	0,180
N-183535.9	S/S matt	Escutcheon 165x45 mm with knob Rd 50 mm and coverplate 12 mm	pc.	0,180

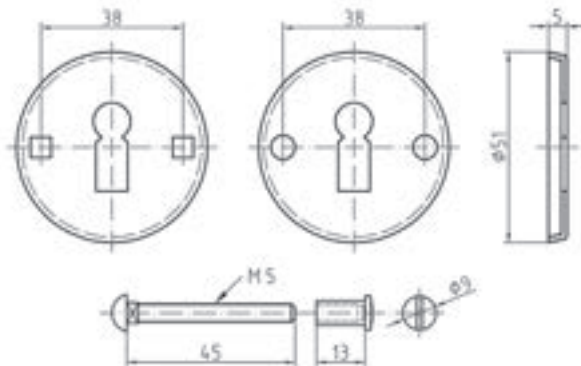
ESCUTCHEONS WITH ROUND KNOB - ESCUTCHEONS WITH KNOB 50 MM

- With round fixing holes
- Distance 72 mm on request
- Fixing screws to be ordered separately based on door thickness
- Angular fixing holes on request



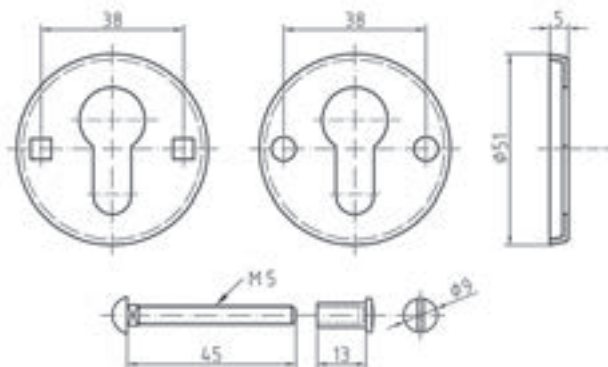
Art.code	Surface	Article description	Unit	Weight
N-183560.0	S/S brushed	Esutcheon 165x45 mm PC hole, 75 mm, with knob Rd 50 mm	pc.	0,170
N-183560.4	S/S polished	Esutcheon 165x45 mm PC hole, 75 mm, with knob Rd 50 mm	pc.	0,170
N-183560.9	S/S matt	Esutcheon 165x45 mm PC hole, 75 mm, with knob Rd 50 mm	pc.	0,170

ESCUTCHEONS ROUND WITH KEY HOLE - ESCUTCHEONS RD 51 MM



Art.code	Surface	Article description	Unit	Weight
N-190401.0	S/S brushed	Keyhole escutcheon Rd 51 mm, for wood screws	pc.	0,025
N-190401.4	S/S polished	Keyhole escutcheon Rd 51 mm, for wood screws	pc.	0,025
N-190401.9	S/S matt	Keyhole escutcheon Rd 51 mm, for wood screws	pc.	0,025
N-190402.0	S/S brushed	Keyhole escutcheon Rd 51 mm, with coverplate, for wood screws	pc.	0,031
N-190402.4	S/S polished	Keyhole escutcheon Rd 51 mm, with coverplate, for wood screws	pc.	0,031
N-190402.9	S/S matt	Keyhole escutcheon Rd 51 mm, with coverplate, for wood screws	pc.	0,031
N-190410.0	S/S brushed	Escutcheon pair, key hole, through bolt and nut M5x45 mm	set	0,055
N-190410.4	S/S polished	Escutcheon pair, key hole, through bolt and nut M5x45 mm	set	0,055
N-190410.9	S/S matt	Escutcheon pair, key hole, through bolt and nut M5x45 mm	set	0,055

ESCUTCHEONS ROUND WITH PROFILE CYLINDER HOLE - ESCUTCHEONS RD 51 MM

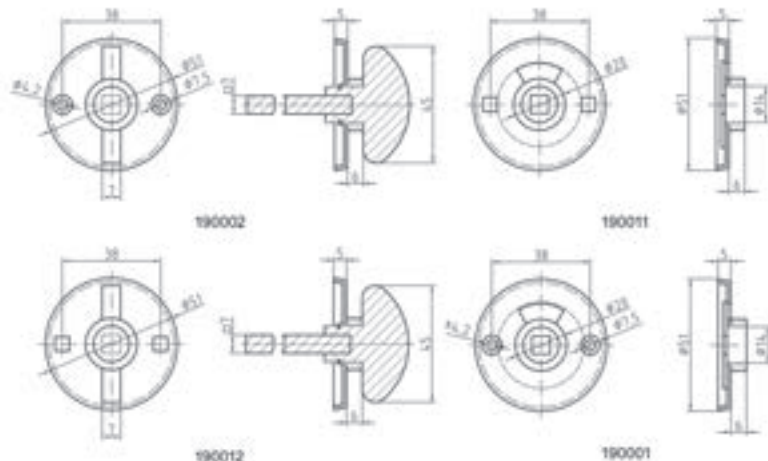


Art.code	Surface	Article description	Unit	Weight
N-190200.0	S/S brushed	PC hole escutcheon Rd 51 mm, for wood screws	pc.	0,025
N-190200.4	S/S polished	PC hole escutcheon Rd 51 mm, for wood screws	pc.	0,025
N-190200.9	S/S matt	PC hole escutcheon Rd 51 mm, for wood screws	pc.	0,025
N-190210.0	S/S brushed	PC hole escutcheon pair Rd 51 mm, DIN 81316 with through bolt and nut M5x45 mm	set	0,043
N-190210.4	S/S polished	PC hole escutcheon pair Rd 51 mm, DIN 81316 with through bolt and nut M5x45 mm	set	0,043
N-190210.9	S/S matt	PC hole escutcheon pair Rd 51 mm, DIN 81316 with through bolt and nut M5x45 mm	set	0,043
N-190600.0	S/S brushed	PC hole cover set (2 parts), invisible screw fixation	set	0,095
N-190600.4	S/S polished	PC hole cover set (2 parts), invisible screw fixation	set	0,095
N-190600.9	S/S matt	PC hole cover set (2 parts), invisible screw fixation	set	0,095

ESCUTCHEONS ROUND FOR LAVATORY VERSION - ESCUTCHEONS FOR LAVATORY VERSION RD 51 MM

Spindle 7 mm

• Please indicate door thickness in the order



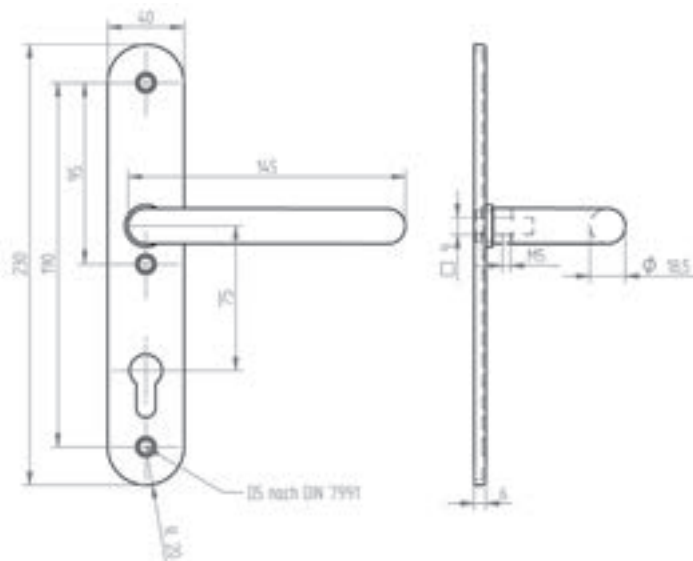
Art.code	Surface	Article description	Unit	Weight
N-190001.0	S/S brushed	WC rosette with red green sign, outside, wood screws	pc.	0,035
N-190001.4	S/S polished	WC rosette with red green sign, outside, wood screws	pc.	0,035
N-190001.9	S/S matt	WC rosette with red green sign, outside, wood screws	pc.	0,035
N-190002.0	S/S brushed	WC rosette with olive, inside, wood screws	pc.	0,119
N-190002.4	S/S polished	WC rosette with olive, inside, wood screws	pc.	0,119
N-190002.9	S/S matt	WC rosette with olive, inside, wood screws	pc.	0,119
N-190011.0	S/S brushed	WC rosette with red green sign, outside, with through bolt and nut	pc.	0,031
N-190011.4	S/S polished	WC rosette with red green sign, outside, with through bolt and nut	pc.	0,031
N-190011.9	S/S matt	WC rosette with red green sign, outside, with through bolt and nut	pc.	0,031
N-190012.0	S/S brushed	WC rosette with olive, inside, with through bolt and nut	pc.	0,120
N-190012.4	S/S polished	WC rosette with olive, inside, with through bolt and nut	pc.	0,120
N-190012.9	S/S matt	WC rosette with olive, inside, with through bolt and nut	pc.	0,120

ESCUTCHEON HANDLE SETS - ESCUTCHEON HANDLE SETS STAINLESS STEEL

WC, BB, PC and Catch

- Please indicate door thickness in the order
- Distance 72 mm or others on request

- Polished surface also on request

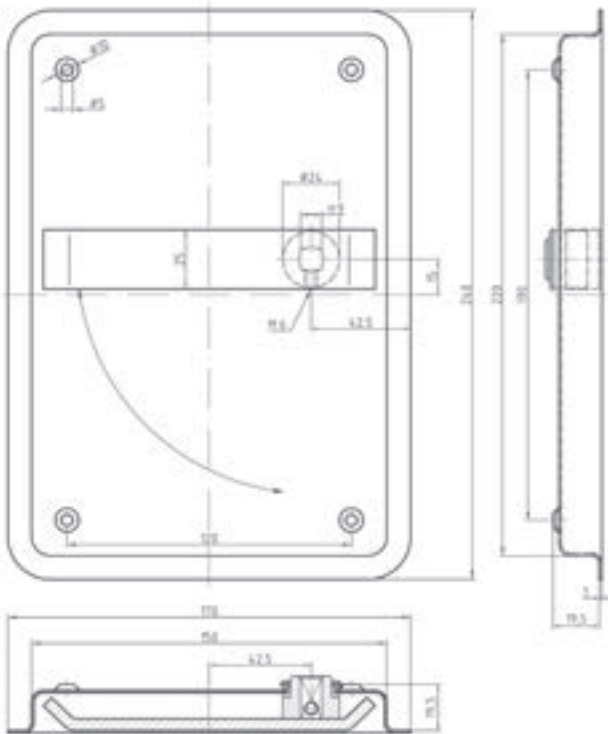


Art.code	Surface	Article description	Unit	Weight
N-200069.0	S/S brushed	WC door handle set, tubular and escutcheon 230 mm round, 75/9 mm	set	0,630
N-200169.0	S/S brushed	BB door handle set, tubular and escutcheon 230 mm round, 75/9 mm	set	0,495
N-200269.0	S/S brushed	PC door handle set, tubular and escutcheon 230 mm round, 75/9 mm	set	0,495
N-200369.0	S/S brushed	Blind door handle set, tubular and escutcheon 230 mm round, spindle 9 mm	set	0,495

RECESSED FLAT HANDLE GRIP - RECESSED FLAT HANDLE GRIP WITH 9 MM SPINDLE HOLE

• With spindle 8 mm on request

• Please indicate door thickness in the order



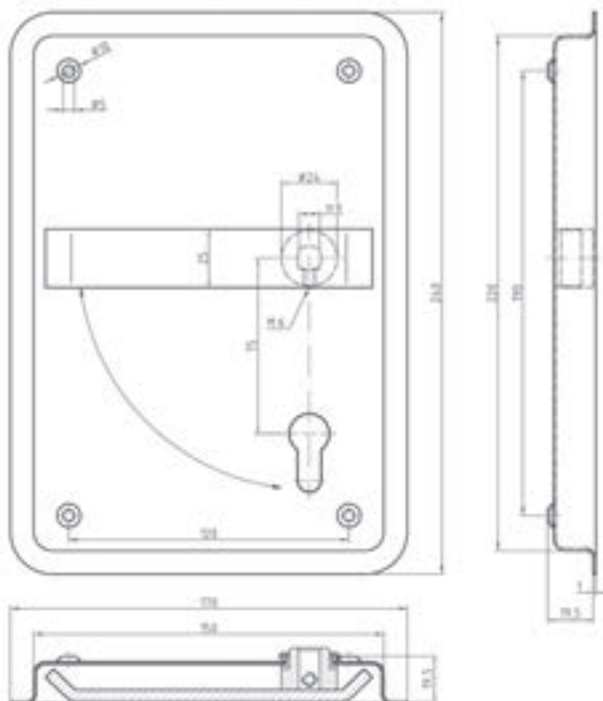
Art.code	Surface	Article description	Unit	Weight
GM-0001.0	S/S brushed	Recessed handle set with 9 mm spindle hole, right	pc.	0,530
GM-0002.0	S/S brushed	Recessed handle set with 9 mm spindle hole, left	pc.	0,530

RECESSED FLAT HANDLE GRIP - RECESSED FLAT HANDLE GRIP WITH PC HOLE



- With spindle 8 mm on request
- Please indicate door thickness in the order

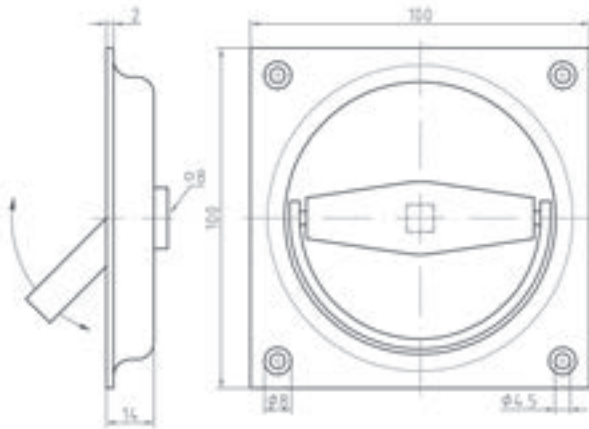
- Distance 72 mm on request



Art.code	Surface	Article description	Unit	Weight
GM-PZ01.0	S/S brushed	Recessed handle set with PC hole with 9 mm spindle hole, right	pc.	0,555
GM-PZ02.0	S/S brushed	Recessed handle set with PC hole with 9 mm spindle hole, left	pc.	0,555

RECESSED PULL RING HANDLE - RECESSED FLAT HANDLE GRIP 100X100 MM

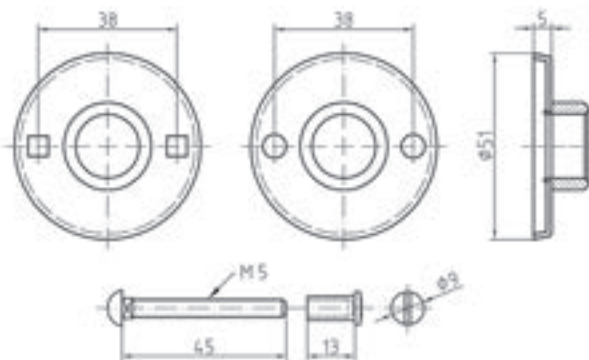
- On request with adapter suitable for 9 mm nut



Art.code	Surface	Article description	Unit	Weight
N-313300.0	S/S brushed	Recessed flat handle 100x100 mm, with 8 mm spindle hole	pc.	0,280
N-313300.9	S/S matt	Recessed flat handle 100x100 mm, with 8 mm spindle hole	pc.	0,280

HANDLE ROSETTES - DRÜCKERROSETTEN RD 51 MM

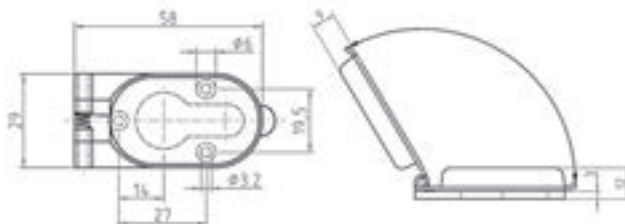
- Rosettes with PE insert part
- Please indicate door thickness in the order



Art.code	Surface	Article description	Unit	Weight
N-190300.0	S/S brushed	Roset for countersunk screws with PE insert	pc.	0,074
N-190300.4	S/S polished	Roset for countersunk screws with PE insert	pc.	0,074
N-190300.9	S/S matt	Roset for countersunk screws with PE insert	pc.	0,074
N-190310.0	S/S brushed	Rosets with fixing screws M5x45 mm and PE insert	set	0,074
N-190310.4	S/S polished	Rosets with fixing screws M5x45 mm and PE insert	set	0,074
N-190310.9	S/S matt	Rosets with fixing screws M5x45 mm and PE insert	set	0,074

PROFILE CYLINDER COVERPLATE - COVERPLATE 12 MM STAINLESS STEEL

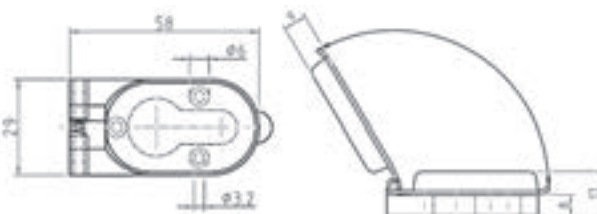
- Delivered with screws and nuts



Art.code	Surface	Article description	Unit	Weight
N-183599.0	S/S brushed	Coverplate 12 mm with fixing screws and nuts	pc.	0,045
N-183599.4	S/S polished	Coverplate 12 mm with fixing screws and nuts	pc.	0,045
N-183599.9	S/S matt	Coverplate 12 mm with fixing screws and nuts	pc.	0,045

PROFILE CYLINDER COVERPLATE - COVERPLATE 17 MM STAINLESS STEEL

- Delivered with screws and nuts



Art.code	Surface	Article description	Unit	Weight
N-183598.0	S/S brushed	Coverplate 17 mm with fixing screws and nuts	pc.	0,080
N-183598.4	S/S polished	Coverplate 17 mm with fixing screws and nuts	pc.	0,080
N-183598.9	S/S brushed	Coverplate 17 mm with fixing screws and nuts	pc.	0,080

ATTACHMENTS - SCREWS & NUTS

Stainless steel

Art.code	Surface	Article description	Unit	Weight
N-209045.0	S/S brushed	Through bolt and nut M5x45 mm	pc.	0,010
N-209045.4	S/S polished	Through bolt and nut M5x45 mm	pc.	0,010
N-209045.9	S/S matt	Through bolt and nut M5x45 mm	pc.	0,010
N-209070.0	S/S brushed	Through bolt and nut M5x65 mm	pc.	0,015
N-209070.4	S/S polished	Through bolt and nut M5x65 mm	pc.	0,015
N-209070.9	S/S matt	Through bolt and nut M5x65 mm	pc.	0,015
N-209999.0	S/S brushed	Pan head fixing nut for M5 through bolts	pc.	0,005
N-209999.4	S/S polished	Pan head fixing nut for M5 through bolts	pc.	0,005
N-209999.9	S/S matt	Pan head fixing nut for M5 through bolts	pc.	0,005

