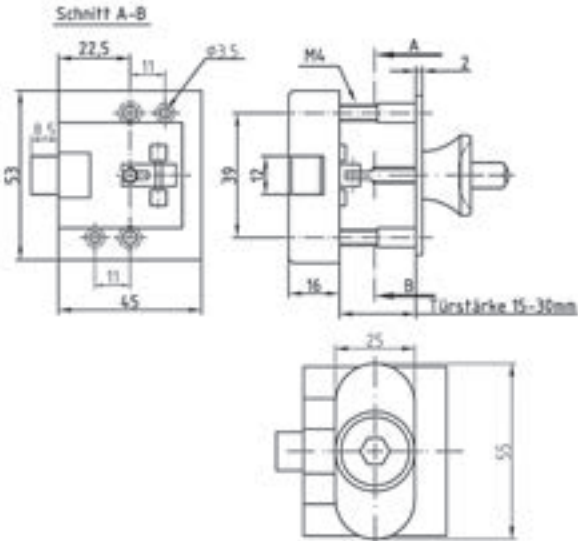


1503 SNAPPER - SNAPPER 45X53 MM

Interior snapper for Ri / Le and drawer usage

- Material: Brass Ms 58
- For door thickness 15-30 mm
- Striking plates or angles to be ordered separately



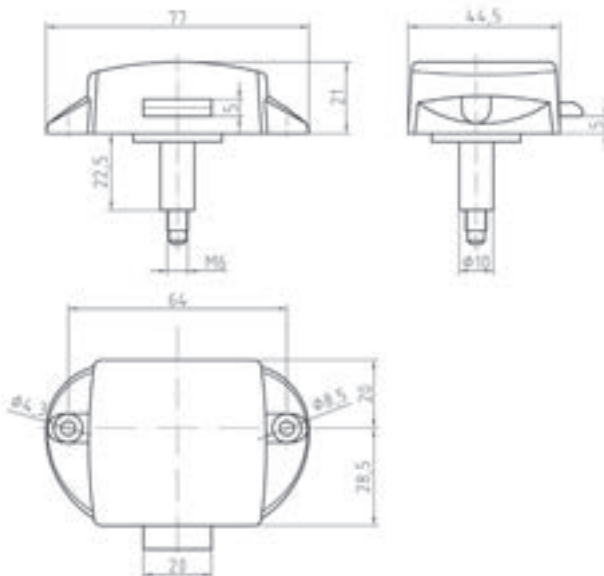
Art.code	Surface	Article description	Unit	Weight
150370.4	Bp	Press knob snapper 45x53 mm for Ri/Le usage	pc.	0,165
150370.6	Bpc	Press knob snapper 45x53 mm for Ri/Le usage	pc.	0,165
150370.9	Bmc	Press knob snapper 45x53 mm for Ri/Le usage	pc.	0,165
228008.9	Bmc	Striking plate for snappers group 15	pc.	0,009
228110.9	Bmc	Striking plate angled for press knob snappers, 1 mm	pc.	0,005

1517 PRESS KNOB SNAPPER - PRESS KNOB SNAPPER 151770



- Door thickness 18-22 mm
- Recommended push knob article number 47.522 brass ... or N-47.522 ... stainless steel

- Recommended cover ring 47.534 ... brass or N-47.534 in stainless steel



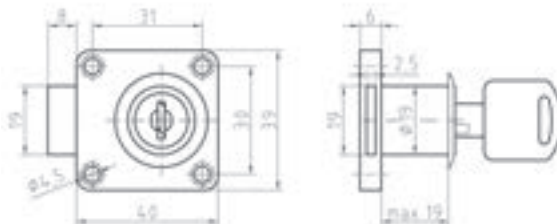
Art.code	Surface	Article description	Unit	Weight
151770.0	Zinc	Press knob snapper, without roset and knob	pc.	0,092

1518 RIM FURNITURE LOCK - RIM FURNITURE LOCK 1518

Door thickness up to 19 mm

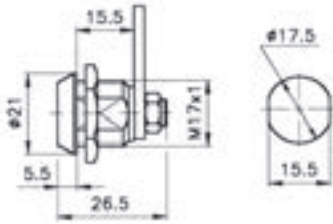
- Door thickness up to 19 mm
- With roset and 2 keys

- Key different



Art.code	Surface	Article description	Unit	Weight
151800.0	Steel zinc	Rim furniture lock with roset and 2 keys, right and left usage	pc.	0,080
151803.0	Steel zinc	Rim furniture lock with roset and 2 keys, drawer usage	pc.	0,080

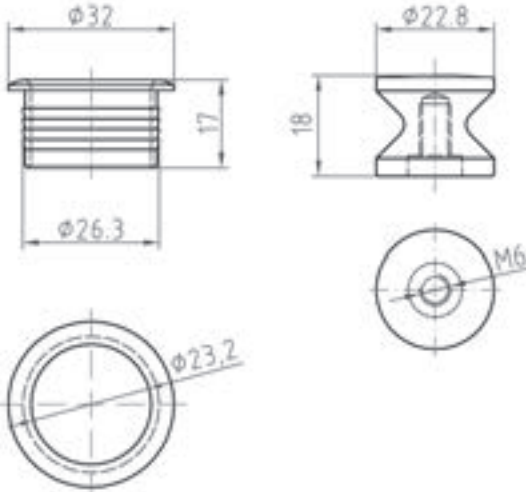
1535 FURNITURE LOCK - FURNITURE LOCK 1535



Art.code	Surface	Article description	Unit	Weight
153500.0	Steel chromated	Furniture cam lock with 2 keys, 180° turning	pc.	0,048

PUSH KNOB AND RING FOR 151770 - PUSH KNOB AND COVER RING

- Floor door thickness 19 mm
- Recommended push knob snapper 151770
- Other surfaces on request

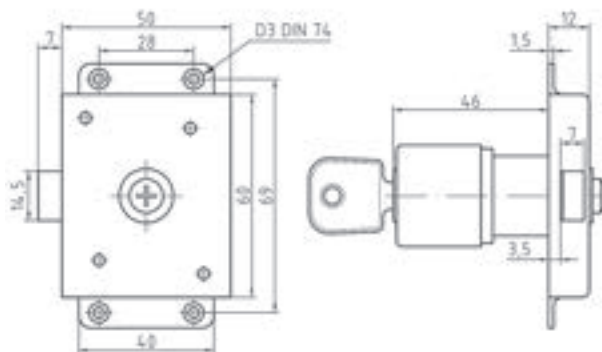


Art.code	Surface	Article description	Unit	Weight
47.522.4	Bp	Push knob Rd 22,8x18 mm	pc.	0,040
47.522.6	Bpc	Push knob Rd 22,8x18 mm	pc.	0,040
47.522.8	Bmn	Push knob Rd 22,8x18 mm	pc.	0,040
47.532.4	Bp	Push knob Rd 23x25 mm	pc.	0,040
47.532.6	Bpc	Push knob Rd 23x25 mm	pc.	0,040
47.532.8	Bmn	Push knob Rd 23x25 mm	pc.	0,040
N-47.522.0	S/S brushed	Push knob Rd 22,8x18 mm	pc.	0,040
N-47.522.4	S/S polished	Push knob Rd 22,8x18 mm	pc.	0,040
N-47.522.9	S/S matt	Push knob Rd 22,8x18 mm	pc.	0,040
47.533.4	Bp	Knob ring Rd 32x17 mm, with chamfer	pc.	0,020
47.533.6	Bpc	Knob ring Rd 32x17 mm, with chamfer	pc.	0,020
47.533.8	Bmn	Knob ring Rd 32x17 mm, with chamfer	pc.	0,020
47.534.4	Bp	Knob ring Rd 32x17 mm, without chamfer	pc.	0,018
47.534.6	Bpc	Knob ring Rd 32x17 mm, without chamfer	pc.	0,018
47.534.8	Bmn	Knob ring Rd 32x17 mm, without chamfer	pc.	0,018
N-47.534.0	S/S brushed	Knob ring Rd 32x17 mm	pc.	0,016
N-47.534.4	S/S polished	Knob ring Rd 32x17 mm	pc.	0,016
N-47.534.9	S/S matt	Knob ring Rd 32x17 mm	pc.	0,016

1184 RIM LOCK WITH TURN KNOB LOCKABLE - RIM LOCK WITH TURN KNOB LOCKABLE



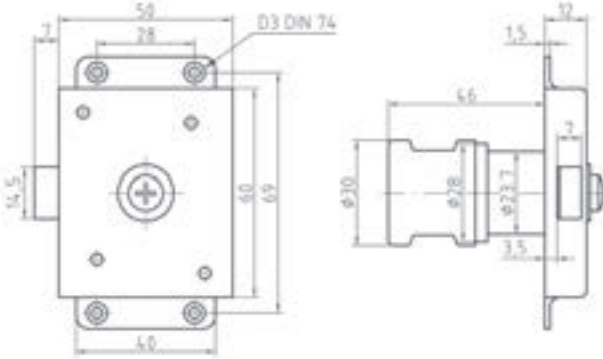
- Material: Brass Ms 58
- Striking plates or angles to be ordered separately
- For door thickness 16-17 mm or 19-20 mm
- Backset 25 mm
- For 7 mm spindle
- For right, left and drawer usage



Art.code	Surface	Article description	Unit	Weight
118401.4	Bp	Cabinet rim lock with turn knob lockable, right	pc.	0,270
118401.6	Bpc	Cabinet rim lock with turn knob lockable, right	pc.	0,270
118401.9	Bmc	Cabinet rim lock with turn knob lockable, right	pc.	0,270
118402.4	Bp	Cabinet rim lock with turn knob lockable, left	pc.	0,270
118402.6	Bpc	Cabinet rim lock with turn knob lockable, left	pc.	0,270
118402.9	Bmc	Cabinet rim lock with turn knob lockable, left	pc.	0,270
118403.4	Bp	Cabinet rim lock with turn knob lockable, drawer version	pc.	0,270
118403.6	Bpc	Cabinet rim lock with turn knob lockable, drawer version	pc.	0,270
118403.9	Bmc	Cabinet rim lock with turn knob lockable, drawer version	pc.	0,270
228008.9	Bmc	Striking plate for Push rim locks group 15	pc.	0,009
228110.9	Bmc	Striking plate angled for Push rim locks, 1 mm	pc.	0,005

1185 RIM LOCK WITH TURN KNOB - RIM LOCK WITH TURN KNOB

- Material: Brass Ms 58
- Striking plates or angles to be ordered separately
- For door thickness 16-17 mm
- Backset 25 mm
- For 7 mm spindle

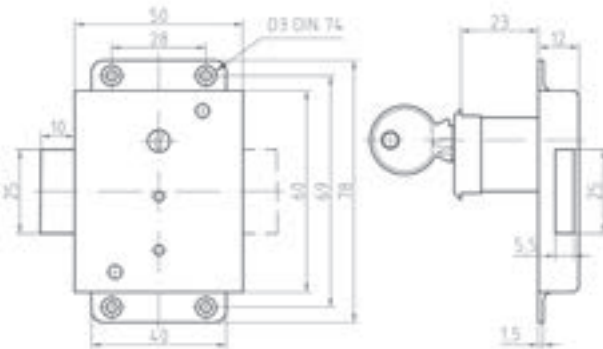


Art.code	Surface	Article description	Unit	Weight
118500.4	Bp	Cabinet rim lock with turn knob right/left usage	pc.	0,270
118500.6	Bpc	Cabinet rim lock with turn knob right/left usage	pc.	0,270
118500.9	Bmc	Cabinet rim lock with turn knob right/left usage	pc.	0,270
228008.9	Bmc	Striking plate for Push rim locks group 15	pc.	0,009
228110.9	Bmc	Striking plate angled for Push rim locks, 1 mm	pc.	0,005

1305 DOUBLE DEAD RIM LOCK - DOUBLE DEAD RIM LOCK

with round cylinder 22 mm

- Material: Brass Ms 58
- Other surfaces on request
- For right/left usage
- Round cylinder with 2 keys and roset



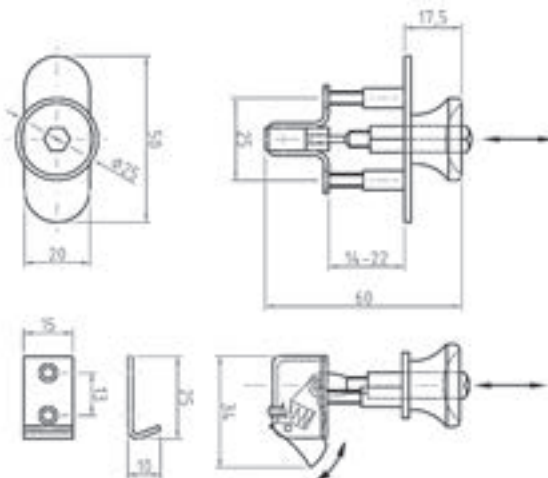
Art.code	Surface	Article description	Unit	Weight
130560.6	Bpc	Double dead rim lock, backset 30 mm, right or left usage	pc.	0,260
130570.6	Bpc	Double dead rim lock, backset 25 mm, right or left usage	pc.	0,240
130580.6	Bpc	Double dead rim lock, backset 20 mm, right or left usage	pc.	0,230

1515 PRESS KNOB SNAPPER - SNAPPER 1515

Interior snapper for Ri / Le and drawer usage



- Material: Brass Ms 58
- Striking plates or angles to be ordered separately
- For door thickness 14-22 mm
- Frontplate 50x20 mm



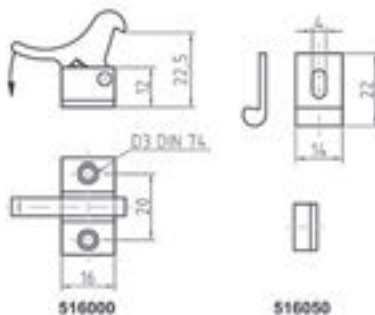
Art.code	Surface	Article description	Unit	Weight
151570.4	Bp	Press knob snapper for doors 14-22 mm	pc.	0,090
151570.6	Bpc	Press knob snapper for doors 14-22 mm	pc.	0,090
151570.9	Bmc	Press knob snapper for doors 14-22 mm	pc.	0,090
151571.4	Bp	Striking plate for press knob snapper No. 151570	pc.	0,007
151571.6	Bpc	Striking plate for press knob snapper No. 151570	pc.	0,007
151571.9	Bmc	Striking plate for press knob snapper No. 151570	pc.	0,007
228110.9	Bmc	Striking plate angled for press knob snapper, 1 mm	pc.	0,005

FINGER SNAPPER - SNAPPER 5160

Made of brass profile material



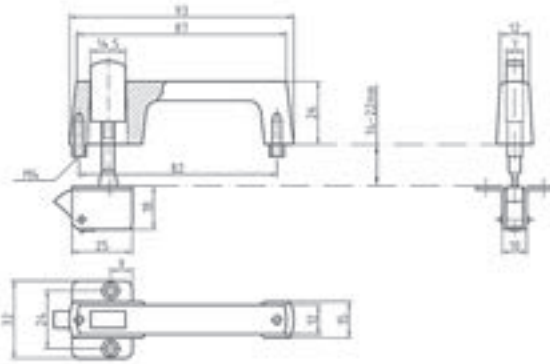
- Material: Brass Ms 58



Art.code	Surface	Article description	Unit	Weight
516000.1	Brp	Finger snapper with counter plate	pc.	0,030
516000.3	Brpc	Finger snapper with counter plate	pc.	0,030

GRIP SNAPPER - GRIP SNAPPER 1520

- Material: Brass Ms 58 or with grip and knob in stainless steel
- For door thickness 14-22 mm
- On request further door thicknesses available
- For right/left or drawer usage
- Please order striking angles separately

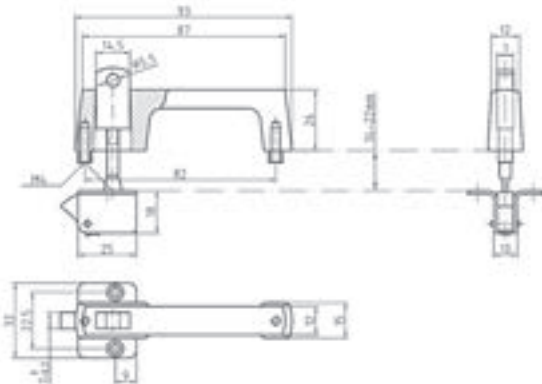


Art.code	Surface	Article description	Unit	Weight
152000.9	Bmc	Snapper with grip, Right/Left and drawer usage	pc.	0,180
228110.9	Bmc	Striking plate angled for press knob snapper, 1 mm	pc.	0,005
N-152000.0	S/S brushed	Snapper with grip, Right/Left and drawer usage	pc.	0,180
N-152000.9	S/S matt	Snapper with grip, Right/Left and drawer usage	pc.	0,180

GRIP SNAPPER LOCKABLE - GRIP SNAPPER 1523

Lockable with padlock 5 mm

- Material: Brass Ms 58 or with grip and knob in stainless steel
- For door thickness 14-22 mm
- On request further door thicknesses available
- For right/left or drawer usage
- Please order striking angles separately

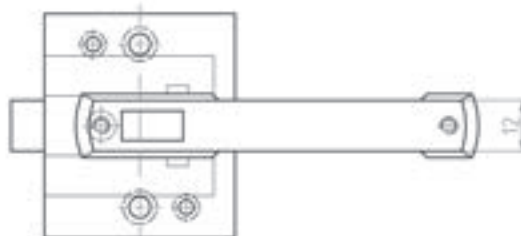
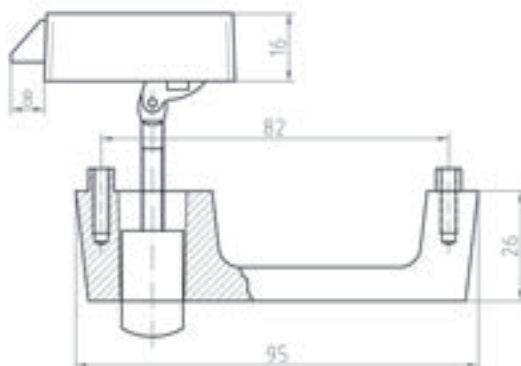
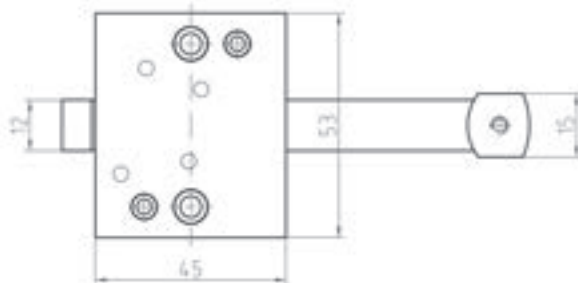


Art.code	Surface	Article description	Unit	Weight
N-152300.0	S/S brushed	Snapper with grip lockable	pc.	0,180
152300.9	Bmc	Snapper with grip lockable with padlock	pc.	0,180
228110.9	Bmc	Striking plate angled for press knob snapper, 1 mm	pc.	0,005

GRIP SNAPPER WITH 1503 - GRIP SNAPPER 1529

Grip and knob stainless steel

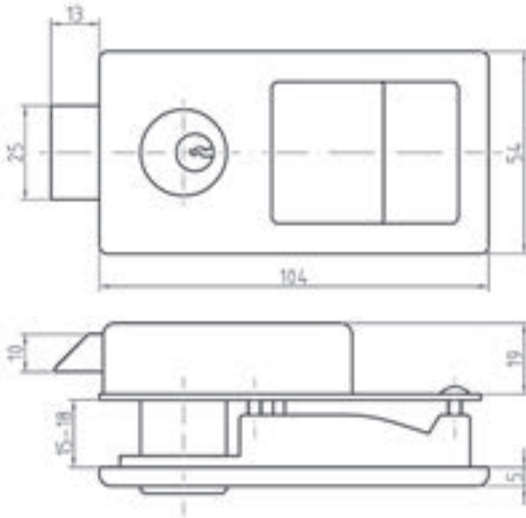
- Material: Brass Ms 58 or with grip and knob in stainless steel
- For door thickness 14-22 mm
- On request further door thicknesses available
- For right/left usage
- Please order striking angles separately



Art.code	Surface	Article description	Unit	Weight
N-152900.0	S/S brushed	Snapper 1503 with grip for right/left usage	pc.	0,180
N-152900.9	S/S matt	Snapper 1503 with grip for right/left usage	pc.	0,180
228110.9	Bmc	Striking plate angled for press knob snapper, 1 mm	pc.	0,005

CABINET LOCK FLAT WITH GRIP - CABINET LOCK 1525/26

- Material: Face plate in Al anodized / Lock parts in stainless steel
- For standard door thickness 15-20 mm
- For door cutout 94x46 mm

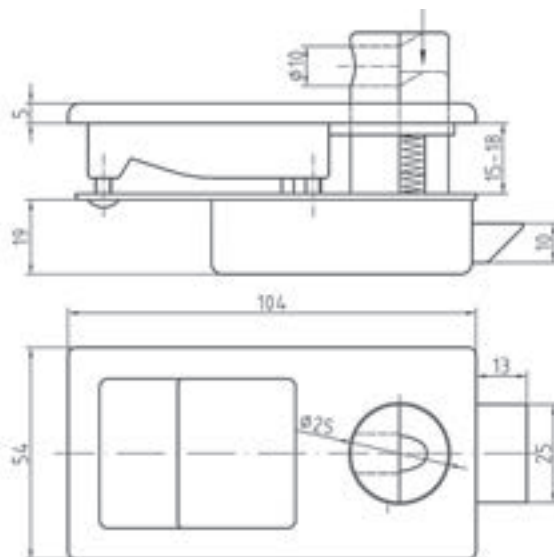


Art.code	Surface	Article description	Unit	Weight
152500.0	S/S matt	Flush snapper 104x54 mm	pc.	0,355
152600.0	S/S matt	Flush snapper 104x54 mm, lockable	pc.	0,390
229000.0	Al anodized	Striking box small 35x20 mm, for 1525 and 1526	pc.	0,012
229100.0	Al anodized	Striking box big 35x30 mm, for 1525 and 1526	pc.	0,014

CABINET LOCK WITH FLAT GRIP LOCKABLE - CABINET LOCK 1527 FOR PAD-LOCKS



- Material: Face plate in Al anodized / Lock parts in stainless steel
- For standard door thickness 15-20 mm
- Lockable with 9 mm padlock

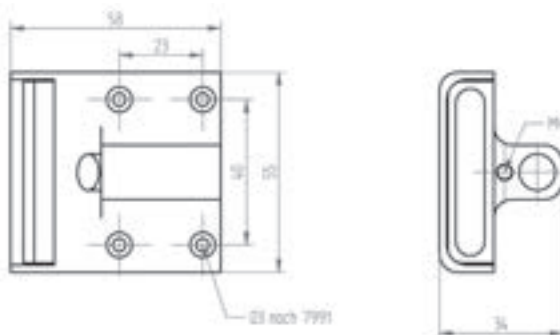


Art.code	Surface	Article description	Unit	Weight
152700.0	S/S matt	Flush snapper with splitted knob, lockable	pc.	0,415
229000.0	Al anodized	Striking box small 35x20 mm, for 1525 and 1526	pc.	0,012
229100.0	Al anodized	Striking box big 35x30 mm, for 1525 and 1526	pc.	0,014

GRIP SNAPPER INVISIBLE 1500 - GRIP SNAPPER 1500

Aluminium with PE nose

- Material: Aluminium anodized
- For right/left or drawer usage
- striking plate to be ordered separately

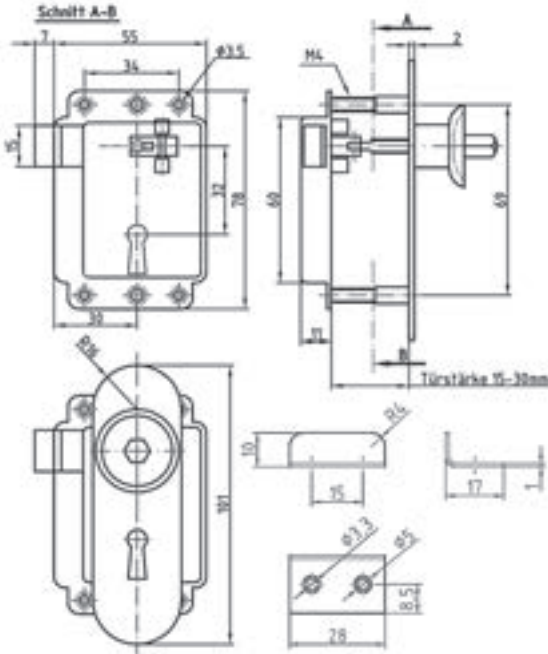


Art.code	Surface	Article description	Unit	Weight
150000.0	Alu	Press knob furniture snapper for invisible assembly	pc.	0,075

CABINET RIM LOCK 1511 WITH KEY HOLE - CABINET RIM LOCK 55X78 MM

Interior locks for Ri / Le and drawer usage with two keys

- Material: Brass Ms 58
- With key hole key alike or master key system
- Please order all striking plates separately
- Door thickness 15-30 mm

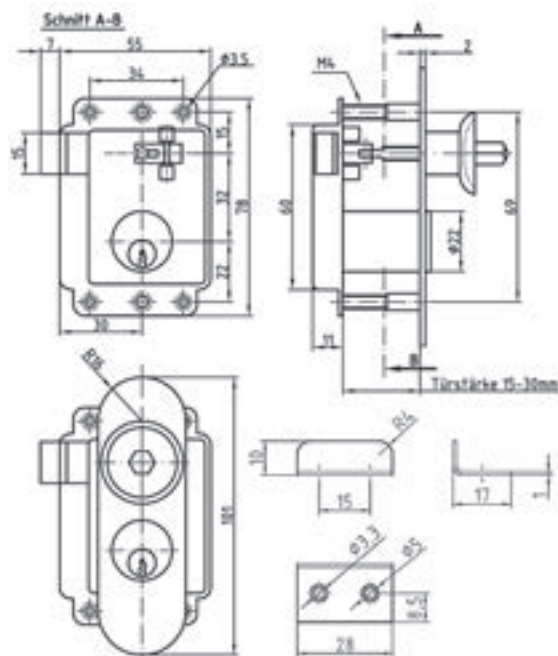


Art.code	Surface	Article description	Unit	Weight
151161.4	Bp	Push rim lock 55x78 mm, key hole, Right	pc.	0,290
151161.6	Bpc	Push rim lock 55x78 mm, key hole, Right	pc.	0,290
151161.9	Bmc	Push rim lock 55x78 mm, key hole, Right	pc.	0,290
151162.4	Bp	Push rim lock 55x78 mm, key hole, Left	pc.	0,290
151162.6	Bpc	Push rim lock 55x78 mm, key hole, Left	pc.	0,290
151162.9	Bmc	Push rim lock 55x78 mm, key hole, Left	pc.	0,290
151163.4	Bp	Push rim lock 55x78 mm, key hole, drawer usage	pc.	0,290
151163.6	Bpc	Push rim lock 55x78 mm, key hole, drawer usage	pc.	0,290
151163.9	Bmc	Push rim lock 55x78 mm, key hole, drawer usage	pc.	0,290
228110.4	Bp	Striking plate angled for push rim locks, 1 mm	pc.	0,005
228110.6	Bpc	Striking plate angled for push rim locks, 1 mm	pc.	0,005
228110.9	Bmc	Striking plate angled for push rim locks, 1 mm	pc.	0,005

CABINET RIM LOCK 1512 WITH PROFILE CYLINDER - CABINET RIM LOCK 55X78 MM

Interior locks for Ri / Le and drawer usage

- Material: Brass Ms 58
- With round profile cylinder key alike or master key system
- Please order all striking plates separately
- Door thickness 15-30 mm



Art.code	Surface	Article description	Unit	Weight
151261.4	Bp	Push rim lock 55x78 mm, with brass PC, Right	pc.	0,340
151261.6	Bpc	Push rim lock 55x78 mm, with brass PC, Right	pc.	0,340
151261.9	Bmc	Push rim lock 55x78 mm, with brass PC, Right	pc.	0,340
151262.4	Bp	Push rim lock 55x78 mm, with brass PC, Left	pc.	0,340
151262.6	Bpc	Push rim lock 55x78 mm, with brass PC, Left	pc.	0,340
151262.9	Bmc	Push rim lock 55x78 mm, with brass PC, Left	pc.	0,340
151263.4	Bp	Push rim lock 55x78 mm, with brass PC, drawer usage	pc.	0,340
151263.6	Bpc	Push rim lock 55x78 mm, with brass PC, drawer usage	pc.	0,340
151263.9	Bmc	Push rim lock 55x78 mm, with brass PC, drawer usage	pc.	0,340
228110.4	Bp	Striking plate angled for push rim locks, 1 mm	pc.	0,005
228110.6	Bpc	Striking plate angled for push rim locks, 1 mm	pc.	0,005
228110.9	Bmc	Striking plate angled for push rim locks, 1 mm	pc.	0,005