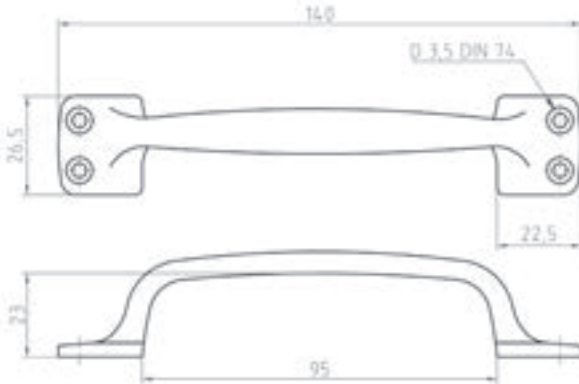


INTERIOR HARDWARE - WINDOW GRIP BRASS 5101

• Material: Brass Ms 63

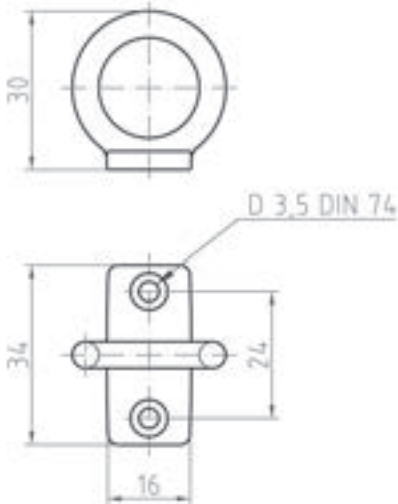


Art.code	Surface	Article description	Unit	Weight
510120.4	Bp	Window grip 120 mm	pc.	0,060
510120.6	Bpc	Window grip 120 mm	pc.	0,060
510120.9	Bmc	Window grip 120 mm	pc.	0,060
510140.4	Bp	Window grip 140 mm	pc.	0,090
510140.6	Bpc	Window grip 140 mm	pc.	0,090
510140.9	Bmc	Window grip 140 mm	pc.	0,090

INTERIOR HARDWARE - WINDOW RING GRIP BRASS 3106

• Material: Brass Ms 63

• On request in Bp, Bpc or Bmc surface

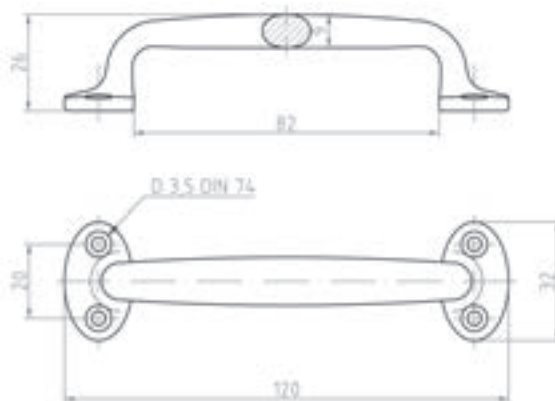


Art.code	Surface	Article description	Unit	Weight
310600.1	Brp	Window grip 30 mm	pc.	0,025
310600.2	Brpn	Window grip 30 mm	pc.	0,025

INTERIOR HARDWARE - HAND GRIP BRASS 5111



- Material: Brass Ms 63

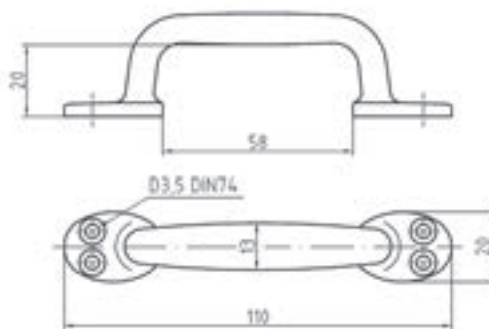


Art.code	Surface	Article description	Unit	Weight
511120.4	Bp	Hand Grip 120 mm, with oval fixing plate	pc.	0,090
511120.6	Bpc	Hand Grip 120 mm, with oval fixing plate	pc.	0,090
511120.9	Bmc	Hand Grip 120 mm, with oval fixing plate	pc.	0,090

INTERIOR HARDWARE - HAND GRIP BRASS 5121



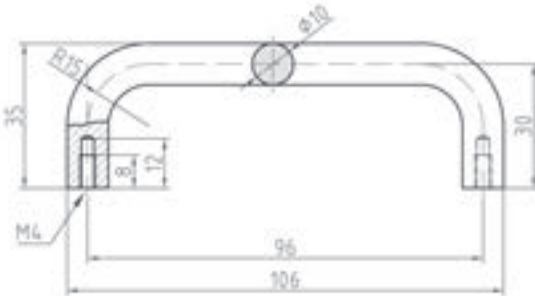
- Material: Brass Ms 63



Art.code	Surface	Article description	Unit	Weight
512110.4	Bp	Hand Grip 110 mm, D=13 mm with extra long fixing plate	pc.	0,075
512110.6	Bpc	Hand Grip 110 mm, D=13 mm with extra long fixing plate	pc.	0,075
512110.9	Bmc	Hand Grip 110 mm, D=13 mm with extra long fixing plate	pc.	0,075
512140.4	Bp	Hand Grip 140 mm, D=18 mm with extra long fixing plate	pc.	0,160
512140.6	Bpc	Hand Grip 140 mm, D=18 mm with extra long fixing plate	pc.	0,160
512140.9	Bmc	Hand Grip 140 mm, D=18 mm with extra long fixing plate	pc.	0,160

INTERIOR HARDWARE - GRIP BRASS 5171

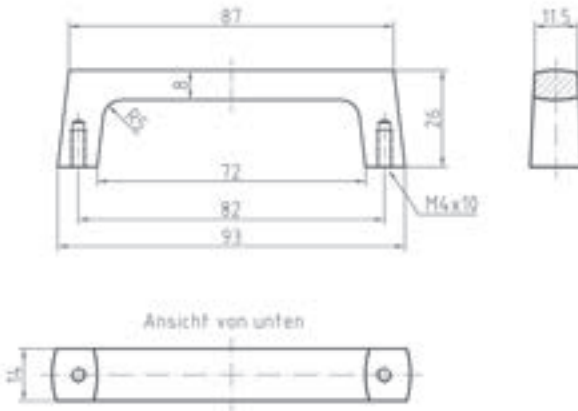
- Material: Available in brass or stainless steel material



Art.code	Surface	Article description	Unit	Weight
517106.4	Bp	Bow grip 106 mm	pc.	0,085
517106.6	Bpc	Bow grip 106 mm	pc.	0,085
517106.9	Bmc	Bow grip 106 mm	pc.	0,085
N-517106.0	S/S brushed	Bow grip 106 mm	pc.	0,085
N-517106.4	S/S polished	Bow grip 106 mm	pc.	0,085
N-517106.9	S/S matt	Bow grip 106 mm	pc.	0,085

INTERIOR HARDWARE - CUPBOARD GRIP BRASS 5175

- Material: Brass Ms 63
- Further door thicknesses on request
- For horizontal or vertical assembly



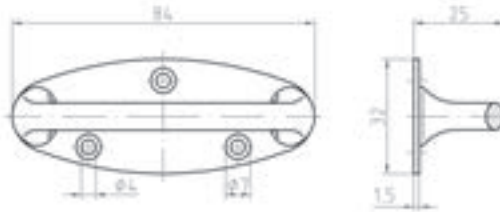
Art.code	Surface	Article description	Unit	Weight
517500.4	Bp	Cupboard grip 93 mm, for door thickness 15-20 mm	pc.	0,110
517500.6	Bpc	Cupboard grip 93 mm, for door thickness 15-20 mm	pc.	0,110
517500.9	Bmc	Cupboard grip 93 mm, for door thickness 15-20 mm	pc.	0,110

INTERIOR HARDWARE - CUPBOARD GRIP 85X32 MM



• Material: Brass Ms 63

• With tumbler key hole on request (Art.-No.: 513010)

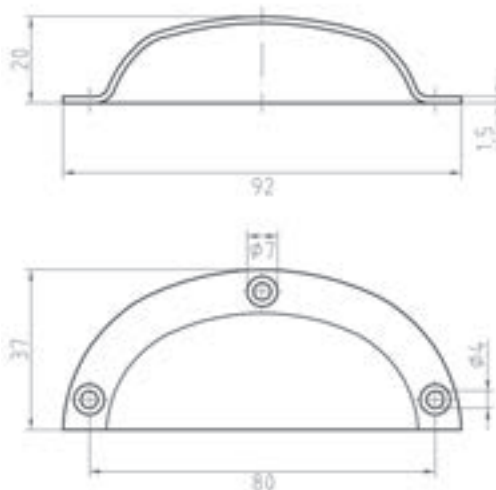


Art.code	Surface	Article description	Unit	Weight
513020.4	Bp	Cupboard grip 85x32 mm	pc.	0,060
513020.6	Bpc	Cupboard grip 85x32 mm	pc.	0,060
513020.9	Bmc	Cupboard grip 85x32 mm	pc.	0,060

INTERIOR HARDWARE - SHELL GRIP 80 MM



• Material: Brass

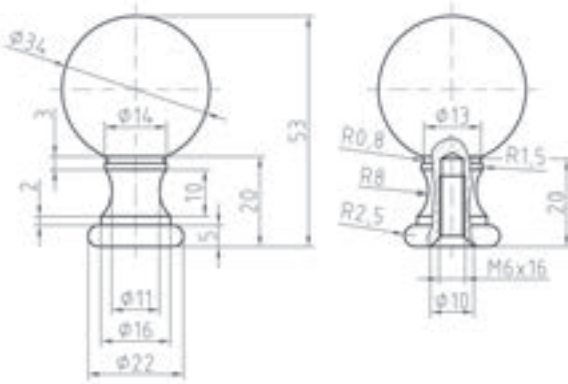


Art.code	Surface	Article description	Unit	Weight
514080.4	Bp	Shell grip 80 mm	pc.	0,030
514080.6	Bpc	Shell grip 80 mm	pc.	0,030
514080.9	Bmc	Shell grip 80 mm	pc.	0,030

INTERIOR HARDWARE - PULL KNOB 34 MM

• Material: Brass

• Rd 34 mm, high 53 mm with M6x16 mm metric thread



Art.code	Surface	Article description	Unit	Weight
515034.0	Bp	Pull knob round 34 mm	pc.	0,030
515034.5	Bpn	Pull knob round 34 mm	pc.	0,030
515034.6	Bpc	Pull knob round 34 mm	pc.	0,030
515034.9	Bmc	Pull knob round 34 mm	pc.	0,030

