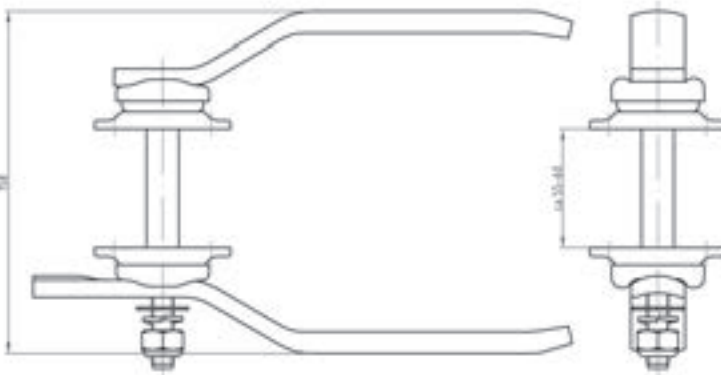
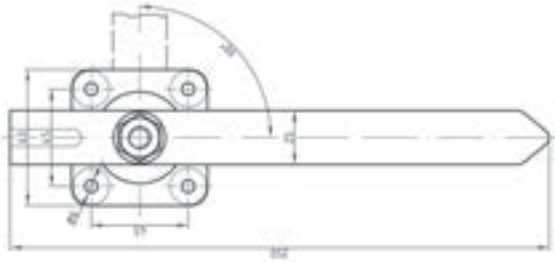


DOG ASSEMBLY SET - DOG ASSEMBLY SET

- Stainless steel A2 material



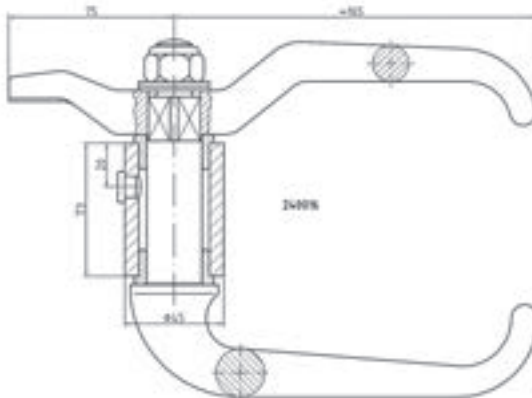
Art.code	Surface	Article description	Unit	Weight
DT-AL6107.0	S/S raw	Door dog set for door thickness 55-60 mm	set	1,155

DOG ASSEMBLY DIN 83104 FORM A STEEL - DIN 83104 FORM A, STEEL



- Steel grips red zinc primed
- Yellow zinc plated surface on request

- Spare or single parts available in chapter attachments



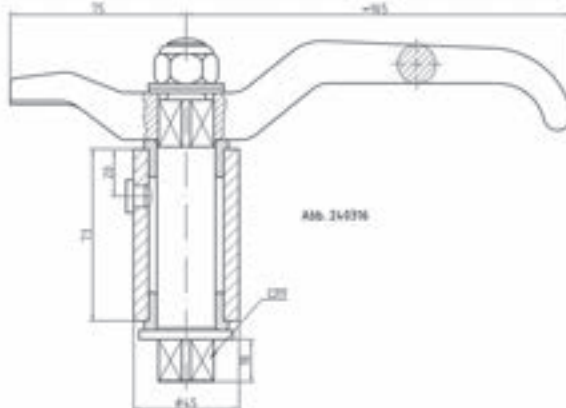
Art.code	Surface	Article description	Unit	Weight
240006	St 37-2	Door dogs steel, DIN 83104, A 60, without limit stopper	set	1,900
240002	St 37-2	Door dogs steel, DIN 83104, A 60, with limit stopper Rd 12x50 mm	set	1,900
240016	St 37-2	Door dogs steel, DIN 83104, A 73, without limit stopper	set	2,000
240012	St 37-2	Door dogs steel, DIN 83104, A 73, with limit stopper Rd 12x50 mm	set	2,000
240026	St 37-2	Door dogs steel, DIN 83104, A 93, without limit stopper	set	2,260
240022	St 37-2	Door dogs steel, DIN 83104, A 93, with limit stopper Rd 12x50 mm	set	2,260
240036	St 37-2	Door dogs steel, A 80, without limit stopper	set	2,120

DOG ASSEMBLY DIN 83104 FORM B - DIN 83104 FORM B, STEEL



- Steel grip red zinc primed
- Other lengths in steel or stainless steel on request

- Spare or single parts available in chapter attachments

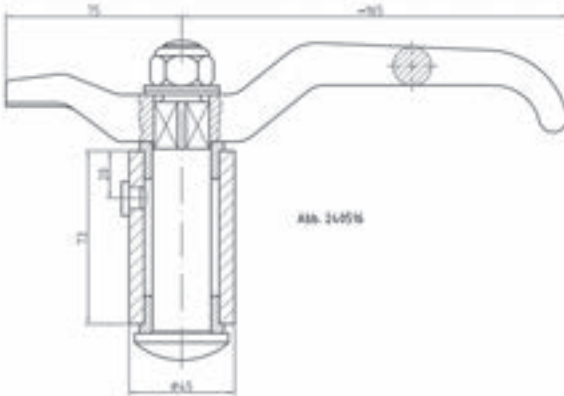


Art.code	Surface	Article description	Unit	Weight
240312	St 37-2	Door dogs steel, DIN 83104, B 73, with limit stopper Rd 12x50 mm	set	1,600
240316	St 37-2	Door dogs steel, DIN 83104, B 73, without limit stopper	set	1,600
240322	St 37-2	Door dogs steel, DIN 83104, B 93, with limit stopper Rd 12x50 mm	set	1,810
240326	St 37-2	Door dogs steel, DIN 83104, B 93, without limit stopper	set	1,810
240413	S/S raw	Door dogs stainless steel, DIN 83104, B 73, without limit stopper	set	1,260
240413.4	S/S pol	Door dogs stainless steel, DIN 83104, B 73, without limit stopper	set	1,260

DOG ASSEMBLY DIN 83104 FORM C - DIN 83104 FORM C, STEEL

The steel spindle hole part and handle are red zinc primary coated

- Steel grip red zinc primed
- Spare or single parts available under chapter attachments
- Stainless steel and other lengths on request

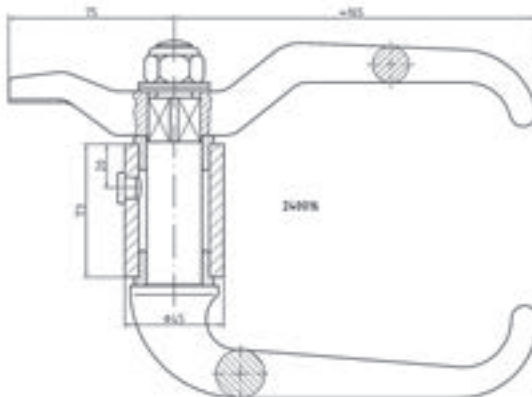


Art.code	Surface	Article description	Unit	Weight
240512	St 37-2	Door dogs steel, DIN 83104, C 73, with limit stopper Rd 12x50 mm	set	1,105
240516	St 37-2	Door dogs steel, DIN 83104, C 73, without limit stopper	set	1,100

DOG ASSEMBLY DIN 83104 FORM A, STAINLESS STEEL - DIN 83104 FORM A, STAINLESS STEEL



- All stainless steel dog fasteners available in surfaces raw or polished
- Spare or single parts available under attachments
- With aluminium or stainless steel tube A4
- A73 door dogs available in A4 material



Art.code	Surface	Article description	Unit	Weight
240213	S/S raw	Door dogs stainless steel, DIN 83104, A 73, without limit stopper	set	1,540
240213.4	S/S pol	Door dogs stainless steel, DIN 83104, A 73, without limit stopper	set	1,540
240211	S/S raw	Door dogs stainless steel, DIN 83104, A 73, with limit stopper Rd 12x50 mm	set	1,540
240211.4	S/S pol	Door dogs stainless steel, DIN 83104, A 73, with limit stopper Rd 12x50 mm	set	1,540
240220	S/S raw	Door dogs, DIN 83104, A 73, with stainless steel A4 tube and PE bushes, without limit stopper	set	1,540
240220.4	S/S pol	Door dogs, DIN 83104, A 73, with stainless steel A4 tube and PE bushes, without limit stopper	set	1,540
240222	S/S raw	Door dogs A4, DIN 83104, A 73, with steel tube and brass bushes, without limit stopper	set	1,540
240222.4	S/S pol	Door dogs A4, DIN 83104, A 73, with steel tube and brass bushes, without limit stopper	set	1,540
240226	S/S raw	Door dogs A4, DIN 83104, A 73, with stainless steel A4 tube and PE bushes, without limit stopper	set	1,540
240226.4	S/S pol	Door dogs A4, DIN 83104, A 73, with stainless steel A4 tube and PE bushes, without limit stopper	set	1,540

SPARE PART LIST STEEL - DIN 83104 STEEL SPARE PARTS

Art.code	Surface	Article description	Unit	Weight
240091.1	St 37-2	Door handle part A 60	pc.	0,760
240092.1	St 37-2	Door handle part A 73	pc.	0,890
240093.1	St 37-2	Door handle part A 93	pc.	1,020
240090.1	St 37-2	Door handle spindle hole part	pc.	0,560
249986	St 35 BK	Steel tube A 60, with loose brass bushes	pc.	0,380
249987	St 35 BK	Steel tube A 73, with loose brass bushes	pc.	0,410
249989	St 35 BK	Steel tube A 93, with loose brass bushes	pc.	0,620
249700	St 37-2	Steel washer zinc plated DIN 2093 A, 31,5x16,3x1,75 mm	pc.	0,010
249600	St 37-2	Steel safety nut M 16, DIN 985	pc.	0,020
249804	S/S	Grease nipple M 10 stainless steel	pc.	0,020
249802	Brass	Loose brass bush	pc.	0,045
240381	St 37-2	Steel axis Form B 73 with spindle head	pc.	0,470
240382	St 37-2	Steel axis Form B 93 with spindle head	pc.	0,570
240581	St 37-2	Steel axis Form C 73 with half round head	pc.	0,470
240582	St 37-2	Steel axis Form C 93 with half round head	pc.	0,570
249500	St 37-2	Limit stopper 12x50 mm	pc.	0,040
249500.0	S/S	Limit stopper 12x50 mm	pc.	0,040

SPARE PART LIST STAINLESS STEEL - DIN 83104 STAINLESS STEEL SPARE PARTS

Art.code	Surface	Article description	Unit	Weight
245092.0	S/S raw	Door handle part A 73, A2	pc.	0,970
245092.4	S/S pol	Door handle part A 73, A2	pc.	0,970
245090.0	S/S raw	Door square hole part A2	pc.	0,540
245090.4	S/S pol	Door square hole part A2	pc.	0,540
249973	Alu	Aluminium tube A 73, with assembled PE-bushes	pc.	0,210
249974	Alu	Aluminium tube A 93, with assembled PE-bushes	pc.	0,260
249800	S/S	Stainless steel washer A4, DIN 125	pc.	0,010
249600.0	S/S	Stainless steel safety nut M 16, DIN 985	pc.	0,020
249804	S/S	Grease nipple M 10 stainless steel	pc.	0,020
249803	PE	Loose PE bush 45x16 mm	pc.	0,030
245381	S/S	Stainless steel axis Form B 73 with square head	pc.	0,470
245382	S/S	Stainless steel axis Form B 93 with square head	pc.	0,570
N-249973	S/S	Stainless steel tube A 73, with loose PE bushes	pc.	0,450
N-249980	S/S	Stainless steel tube A 80, with loose PE bushes	pc.	0,500

